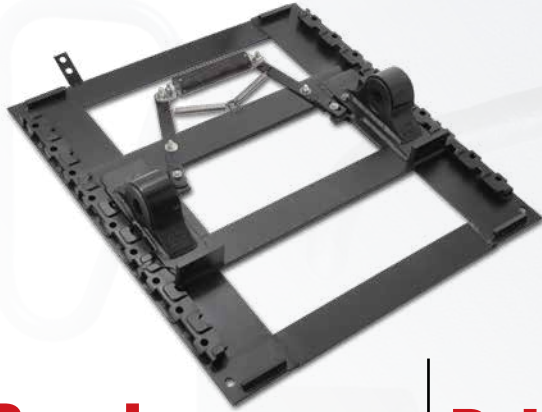


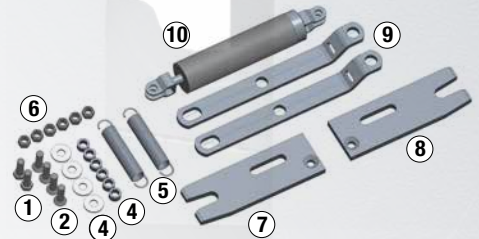
# LWB Light Weight Standard duty air slide bracket and rails



## Replace

### Replacement kit (KITRXLWB)

Item	Description	Qty.
①	Hex head bolt, 1/2"-13 x 1-1/2"	2
②	Flat head screw, 1/2"-13 x 1-3/4"	4
③	Washer, 1/2" type A plain	4
④	Spacer bushing	6
⑤	Extension spring	2
⑥	Hex nut, lock 1/2"-13	6
⑦	Locking wedge, left	1
⑧	Locking wedge, right	1
⑨	LWB slide bracket linkage	2
⑩	NWB/LWB air cylinder	1



### Air slide bracket Part Number

BKTLWB6PT  
BKTLWB7PT  
BKTLWB8PT  
BKTLWB9PT  
BKTLWB10PT

### Mounted Height

6-3/4"  
7-1/4"  
8-1/4"  
9-1/4"  
10-1/4"

\*Height is measured from top of truck frame to top of fifth wheel



Bracket comes assembled

### Slide rails Part Number

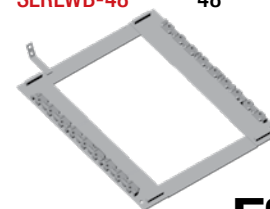
SLRLWB-12  
SLRLWB-16  
SLRLWB-24  
SLRLWB-36  
SLRLWB-48

### Slide Travel

12"  
16"  
24"  
36"  
48"

### Overall Length

33"  
39"  
45"  
57"  
69"



## Repair

### Bracket pin kit (KIT-PIN-LLB)

Item	Description	Qty.
	Lower bracket bushing	2
	Upper bracket bushing	2
	Bracket pin	2
	Bracket retainer pin	2
	Cotter pin	2
	Bracket liner	2



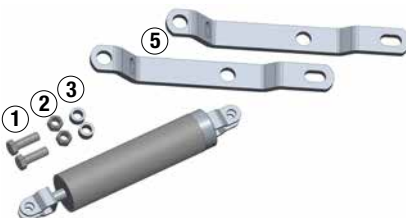
### Bushing kit (BSH-LLB)

	Lower bracket bushing	2
	Upper bracket bushing	2
	Bracket liner	2



### Air cylinder kit (CYLLWB)

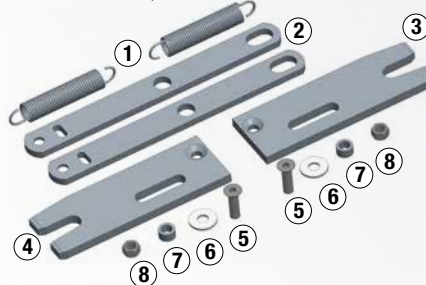
①	Hex head bolt, 1/2"-13 x 1-1/2"	2
②	Hex nut, lock 1/2"-13	2
③	Spacer bushing	2
④	NWB/LWB air cylinder	1
⑤	LWB/AFM double bend linkage	2



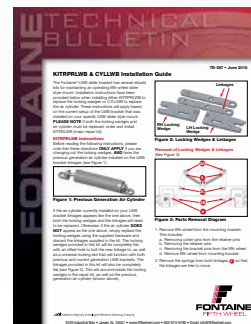
## Rebuild

### Rebuild kit (KITRPLWB)

①	Extension spring, pull bar	2
②	LWB/AFM flat slide linkage	2
③	RH LWB 2" AFM wedge	1
④	LH LWB 2" AFM wedge	1
⑤	Flat head screw 1/2-13 x 1-3/4"	2
⑥	Washer, 1/2" type A plain	2
⑦	Spacer bushing	2
⑧	Hex lock nut, 1/2-13	2



For more information  
See TB-067



### KITRPLWB & CYLLWB Installation Guide

[www.fifthwheel.com/pdfs/technicalbulletins/TB-067.pdf](http://www.fifthwheel.com/pdfs/technicalbulletins/TB-067.pdf)