

Only

FONTAINE®

Gives You the TechLock® System Advantage

Schematic Catalog



FONTAINE®

New Product!

7000C Series Clean-Connect™ Cast Top Plate

Now you can get the world's most advanced locking technology in a Clean-Connect™ fifth wheel

Introducing the latest innovation to the Fontaine® TechLock® System: the new C7000 Series Clean-Connect™ Fifth Wheel.

This exciting new product gives you all the advantages of Fontaine's No-Slack® II locking technology in a cast fifth wheel

plus the added benefit of a grease-free top plate surface.

This means lower operating cost, improved safety, superior performance and a cleaner environment for all of us.

Adding the new C7000 Series Clean-Connect™ fifth wheel to

the Fontaine TechLock® System gives our customers one more reason to say, "You just can't beat The System."

* See the Recommended Practice RP 731A (I) Lube-Free Coupling Guidelines from the Technology & Maintenance Council (TMC) of American Trucking Associations, 2200 Mill Road, Alexandria, VA 22314; 703-838-1763; <http://tmc.truckline.com>

Patented No-Slack® II Locking Technology

The Clean-Connect™ insert pad acts as a lubricant between the top plate surface and the trailer coupling plate without using any grease

The patented safety trigger eliminates the possibility of false trailer couplings to prevent dangerous high-hitching

For added safety the patented positive secondary lock can only be released by pulling the handle

The computer designed surface contact area gives you greater road stability and durability

State-of-the-art design, created by finite element analysis, solid modeling and extensive testing, is strategically reinforced for greater durability

The patented No-Slack® II lock is easier to engage and disengage than any other fifth wheel on the market

The patented No-Slack® II jaw and wedge locking system eliminates slack automatically to save time, cut labor cost and reduce wear

Advanced engineering and construction reduce maintenance to give you the lowest cost per mile

Contents

Item	Page #
Complete Assembly Part Number Identification Guide	4
Part Number Identification	5
Schematics Parts Identification Section	
Top Plates:	
3000 Series Top Plates (SLTPL3000)	6-7
No-Slack II® Top Plates (SLTPL6000, SRTPL6000, SLTPL7000, SRTPL7000, SLTPL7000CC)	8-9
No-Slack II® Top Plate – Air Actuated (AATPL6000, AATPL7000, AATPL7000CC)	10-11
No-Slack II® Top Plate – Air Actuated (SLTPL7000CC, AATPL7000CC)	12-13
No-Slack® 5092 Top Plate (SLTPL5092, SRTPL5092, SLTPLH5092, SRTPLH5092)	14-15
No-Slack® 5092 Top Plate – Air Actuated (AATPL5092, AATPLH5092)	16-17
No-Slack® 5092 Top Plate (SLTPLX5092, SRTPLX5092)	18-19
Brackets & Rails:	
Air Slide Bracket and Rails – ATB (ASYATB824 shown)	20-21
Manual Slide Bracket and Rails – MTB (ASYMTB824 shown)	22-23
Air Slide Bracket and Rails – ASB (ASYASB824 shown)	24-25
Air Slide Bracket and Rails – AWB (ASYAWB824 shown)	26-27
Manual Slide Bracket and Rails – MWS (ASYMWS824 shown)	28-29
Light Weight Air Slide Bracket and Rails – LWS (ASYLWS724 shown)	30-31
Low Mount Air Slide Bracket and Rails – AWS (ASYAWS624 shown)	32-33
Air Slide Bracket and Rails – AWX (ASYAWX924 shown)	34-35
Air Cylinder Identification Chart	36-37
Kits Section	
Service Parts – Available In Case Quantities	38
Service Parts	39
Service Parts – Available Only In A Kit	40
Service Parts – Kits	41-43
3000 Series Fifth Wheel Parts	44

Complete Assembly Part Number Identification Guide

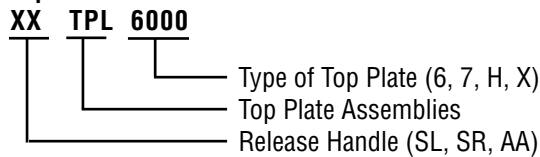
This guide explains the nomenclature for Fontaine International complete assembly part numbers. Listed is an example of part number SL6ATB675012.

Release	Top Plate	Mounting Style	Height	Slide Travel/ Frame Width
<div style="display: flex; justify-content: space-around; align-items: center;"> <div style="border: 1px solid black; padding: 2px 5px;">S</div> <div style="border: 1px solid black; padding: 2px 5px;">L</div> </div> <p>SR - Side Right SL - Side Left AA - Air-Actuated BL - Blocked Left</p>	<div style="display: flex; justify-content: center; align-items: center;"> <div style="border: 1px solid black; padding: 2px 5px;">6</div> </div> <p>6 - 6000 (No-Slack®II) 7 - 7000 (No-Slack®II) C - 7000 Clean Connect (No-Slack®II)* H - H5092 (No-Slack®) X - X5092 (No-Slack®) 3 - 3000*</p> <p>* Available in SL, side left release only</p>	<div style="display: flex; justify-content: space-around; align-items: center;"> <div style="border: 1px solid black; padding: 2px 5px;">A</div> <div style="border: 1px solid black; padding: 2px 5px;">T</div> <div style="border: 1px solid black; padding: 2px 5px;">B</div> </div> <p>ATB - Air Slide Bracket MTB - Manual Slide Bracket PMA - Plate Mount Adjustable PLA - Long Plate Mount PSA - Short Plate Mount FMA - Frame Mount BSM - Bracket Stationary Mount A36 - 36" Angle Mount AWX - Xtra® Heavy Duty Air Wedge Slide ASB - Air Slide Bracket</p>	<div style="display: flex; justify-content: center; align-items: center;"> <div style="border: 1px solid black; padding: 2px 5px;">6750</div> </div> <p>Actual height from truck frame to top of fifth wheel.</p> <p>Example: 6750 = 6.75"</p> <p>(Additional heights available.)</p>	<div style="display: flex; justify-content: space-around; align-items: center;"> <div style="border: 1px solid black; padding: 2px 5px;">1</div> <div style="border: 1px solid black; padding: 2px 5px;">2</div> </div> <p>Slide travel for sliding fifth wheels. Example: 12 = 12"</p> <p>- OR -</p> <div style="display: flex; justify-content: center; align-items: center;"> <div style="border: 1px solid black; padding: 2px 5px;">E</div> </div> <p>Frame width for angle mount fifth wheels. E - 34" truck frame L - 33.50" truck frame</p>

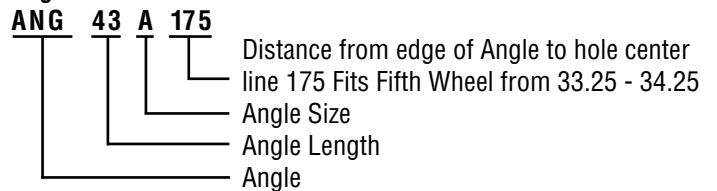
Part Number Identification

- | | | |
|---------------------------|--------------------------|----------------------------|
| ANG - Angles | LEV - Latching Levers | ROD - Stop Rods |
| ASY - Assemblies | LOC - Locking Wedges | SCR - Screws |
| BKT - Brackets | LWS - Light Weight Slide | SLR - Slide Rails |
| BLT - Bolts | MSC - Miscellaneous | SPR - Springs |
| BPR - Bumpers | NUT - Nuts | TMR - Timers |
| BSH - Bushings | OPR - Operating Handles | TPL - Top Plate Assemblies |
| CYL - Air Cylinders | PIN - Pins | VLV - Valves |
| KIT - Kits | PLT - Mounting Plates | WED - Jaw & Wedges |
| LAT - Safety Lock Latches | PUL - Pull Handles | WSH - Washers |

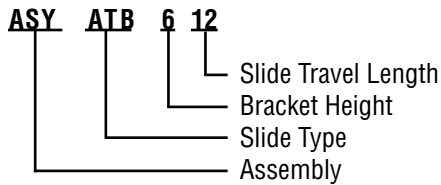
Top Plate Assemblies



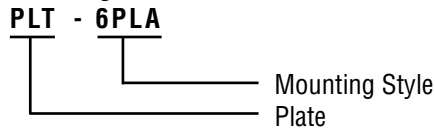
Angles



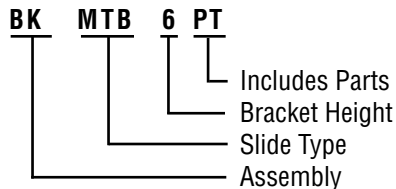
Slide Bracket Assemblies



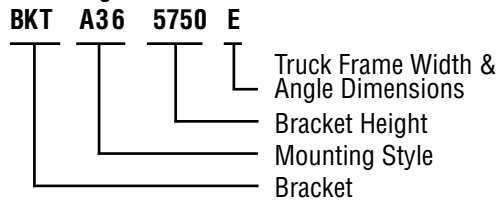
Mounting Plates



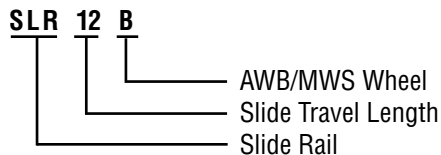
Slide Brackets



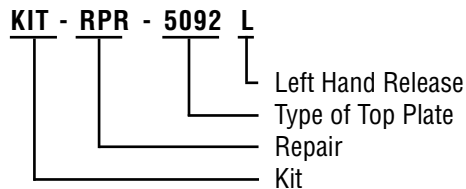
Mounting Brackets



Slide Rails



Kits



3000 Series Top Plate Parts Schematic

SLTPL3000 (Left Side Release Shown)

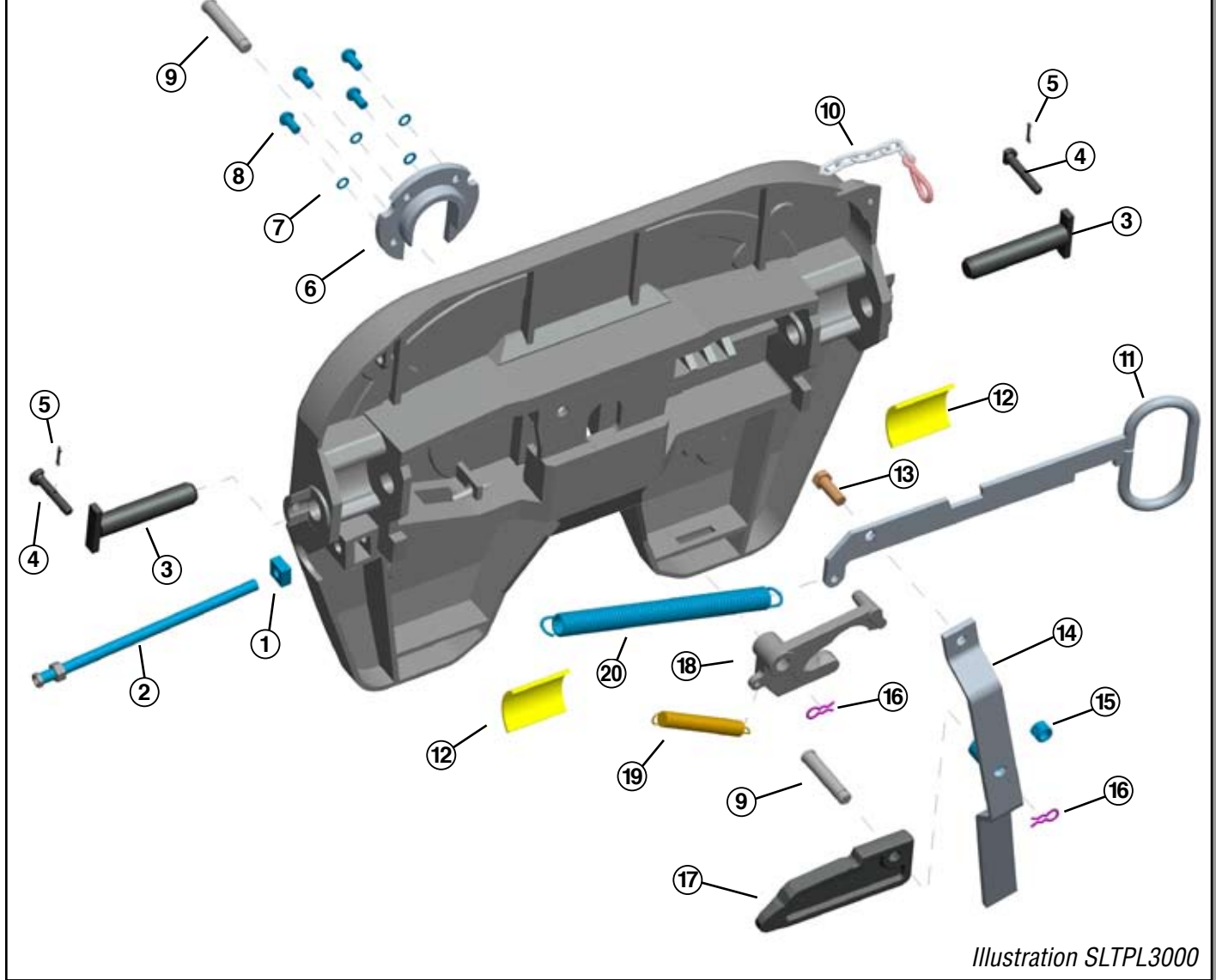


Illustration SLTPL3000

The Fontaine TechLock® System
Superior Technology Delivers
Superior Locking Performance

3000 Series Top Plate Parts Listing

Item No.	Description	Part Number	Quantity
①	Adjustment Rod Nut, M16 Square	*	(1)
②	Adjustment Rod	*	(1)
③	Bracket Pin	PIN-3000	(2)
④	Bracket Retainer Pin	PIN-124P	(2)
⑤	Cotter Pin	PIN-165*	(2)
⑥	Wear Ring	*	(1)
⑦	Flat Washer, M12	*	(4)
⑧	Hex Socket Button Head Screw, M12X25MM	*	(4)
⑨	Pivot Pin	*	(2)
⑩	Security Clip	CLIP-3000	(1)
⑪	Pull Handle	*	(1)
⑫	Bracket Liners	LNR-3000	(2)
⑬	Hex Head Bolt, M16 X 45MM	*	(1)
⑭	Operating Handle	*	(1)
⑮	Nylok Nut, M16	*	(1)
⑯	Pivot Pin Clip	*	(2)
⑰	Locking Wedge	*	(1)
⑱	Rotating Locking Jaw	*	(1)
⑲	Jaw Spring	*	(1)
⑳	Main Spring	*	(1)
<small>Not Pictured</small>	Bracket Bushings	BSH-3000	(2)

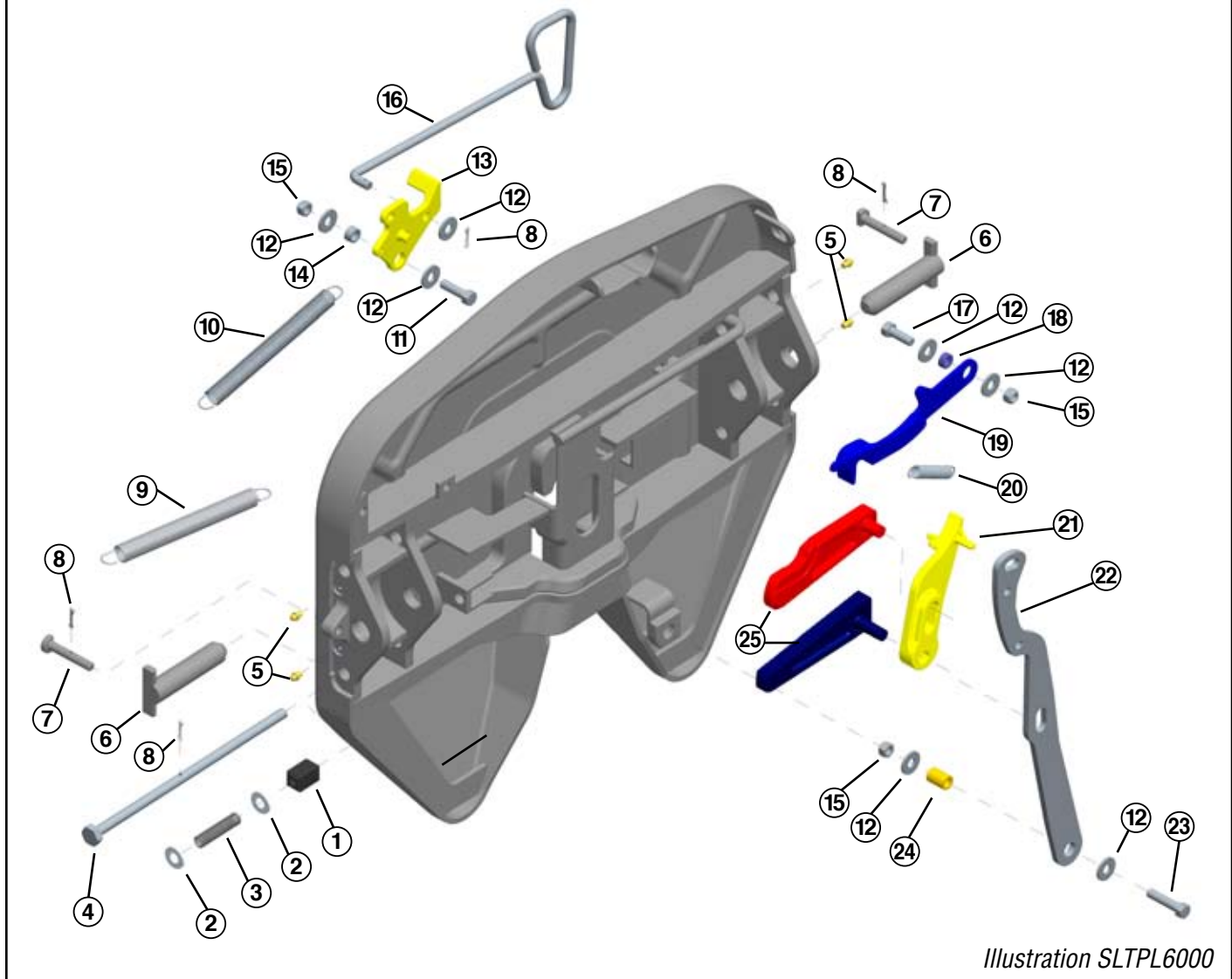
Note: Available left side (driver's side) only. * Only available in a Fontaine Parts Kit

FFW Genuine KITS

Item No.	Description	Quantity
KIT-OPR-3000L		
3000 Series Operating Handle Kit		
13	Hex Head Bolt	1
14	Operating Handle	1
15	Nylok Nut	1
KIT-PIN-3000		
3000 Series Pin Kit		
3	Bracket Retainer Pin	2
4	Bracket Pin	2
5	Cotter Pin	2
<small>Not Pictured</small>	Bracket Bushings	2
KIT-PUL-3000		
3000 Pull Handle Kit		
11	Pull Handle	1
13	Hex Head Bolt	1
15	Nylok Nut	1
KIT-RING-3000		
3000 Wear Ring Kit		
6	Wear Ring	1
7	Flat Washer	4
8	Hex Socket Button Head Screw	4
KIT-ROD-3000		
3000 Adjustment Rod Kit		
1	Adjustment Rod Nut	1
2	Adjustment Rod	1
KIT-RPR-3000L		
3000 Repair Kit		
9	Pivot Pin	2
16	Pivot Pin Clip	2
17	Locking Wedge	1
18	Rotating Locking Jaw	1
19	Jaw Spring	1
20	Main Spring	1

No-Slack® II Series Top Plate Parts Schematic

SLTPL6000/SLTPL7000/SLTPL7000CC (Left Side Release Shown)
SRTPL6000/SRTPL7000 (Right Side Release)



The Fontaine TechLock® System

Superior Technology Delivers
Superior Locking Performance

No-Slack® II Series Top Plate Parts Listing

Item No.	Description	Part Number	Quantity
①	Wedge Stop Rod Nut	NUT-319	1
②	Flat Washer, 5/8", Plain	WSH-304-5	2
③	Wedge Stop Rod Spring	SPR-317	1
④	Wedge Stop Rod **	ROD-1108	1
⑤	Grease Fitting	MSC-375	4
⑥	Bracket Pin	PIN-191P	2
⑦	Bracket Retainer Pin	PIN-124P	2
⑧	Cotter Pin, 3/16" x 1"	PIN-165	4
⑨	Bumper Spring	SPR-374	1
⑩	Handle Spring	SPR-338	1
⑪	Hex Head Bolt, 1/2" -13 x 1-1/2", Grade 5	BLT-302-13	1
⑫	Flat Washer, 1/2" I.D. 1-3/8" O.D., Plain	WSH-304-4	7
⑬	Secondary Lock	LAT-6000*	1
⑭	Bushing, 7/16"	BSH-115	1
⑮	Hex Lock Nut, 1/2" - 13, Grade "C"	NUT-303-9	3
⑯	Pull Handle	PUL-6000*	1
⑰	Hex Head Bolt, 1/2" -13 x 1-3/4", Grade 5	BLT-302-14	1
⑱	Bushing, 5/16"	BSH-629	1
⑲	Bumper	BPR-6000*	1
⑳	Timer Spring	CD-SPR-236	1
㉑	Timer	TMR-6000*	1
㉒	Operating Handle	OPR-6000	1
㉓	Hex Head Bolt, 1/2" - 13 x 2-1/4", Grade 5	BLT-302-67	1
㉔	Bushing	BSH-1225	1
㉕	Step Jaw and Wedge Set	WED-6000*	1
㉖	Hair Pin Cotter (not pictured)	PIN-336-1	1

*Specify left side (driver's side) or right side (curb side) release by adding an "L" or "R" after Part # (Example: KIT-RPR-6000L).

** Some custom ordered No-Slack® II Series Top Plate models use a knock out rod with no hex head or threads instead of a wedge stop rod as shown at left – see ④

Item No.	Description	Quantity
KIT-TMR-6000*		
No-Slack® II Series Timer Kit		
15	Hex Lock Nut, 1/2" - 13	1
20	Timer Spring	1
21	Timer	1
26	Hair Pin Cotter	1

Item No.	Description	Quantity
KIT-RPR-6000*		
No-Slack® II Repair Kit		
9	Bumper Spring	1
10	Handle Spring	1
14	Bushing, 7/16"	1
15	Hex Lock Nut, 1/2" - 13	3
18	Bushing, 5/16"	1
20	Timer Spring	1
25	Step Jaw and Wedge Set	1

FFW Genuine KITS

Item No.	Description	Quantity
KIT-BPR-6000*		
No-Slack® II Series Bumper Kit		
12	Flat Washer, 1/2" I.D.	2
15	Hex Lock Nut, 1/2" - 13	1
17	Hex Head Bolt, 1/2" - 13	1
18	Bushing	1
19	Bumper	1
9	Bumper Spring	1
KIT-LAT-6000*		
No-Slack® II Series Secondary Lock Kit		
8	Cotter Pin, 3/16" x 1"	1
10	Handle Spring	1
12	Flat Washer, 1/2" I.D.	2
11	Hex Head Bolt, 1/2" - 13	1
13	Secondary Lock	1
14	Bushing, 7/16"	1
15	Hex Lock Nut, 1/2" - 13	1
KIT-OPR-6000		
No-Slack® II Series Operating Handle Kit		
12	Flat Washer, 1/2" I.D.	2
14	Bushing, 7/16"	1
15	Lock Nut, 1/2" - 13	3
18	Bushing, 5/16"	1
24	Bushing	1
22	Operating Handle	1
23	Hex Head Bolt, 1/2" - 13	1
26	Hair Pin Cotter	1
KIT-PUL-6000*		
No-Slack® II Series Pull Handle Kit		
8	Cotter Pin, 3/16" x 1"	1
12	Flat Washer, 1/2" I.D.	1
16	Pull Handle	1
KIT-ROD-1108		
Wedge Stop Rod Kit		
1	Wedge Stop Rod Nut	1
2	Flat Washer, 5/8"	2
3	Wedge Stop Rod Spring	1
4	Wedge Stop Rod	1
8	Cotter Pin, 3/16" x 1"	1



No-Slack® II Series Air Actuated Top Plate Parts Schematic

AATPL6000/AATPL7000/AATPL7000CC (Left Side Release Shown)

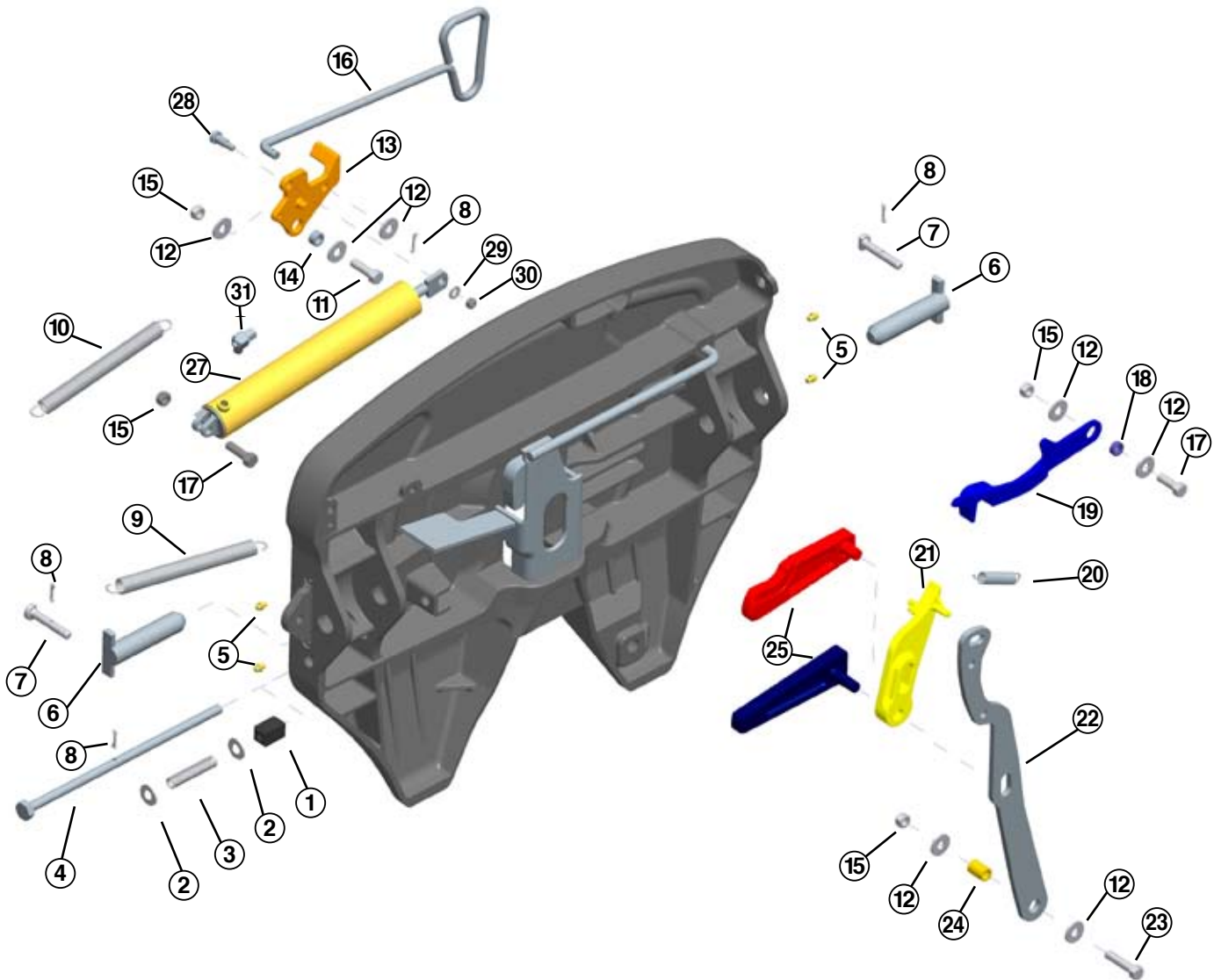


Illustration AATPL7000

The Fontaine TechLock® System

Superior Technology Delivers

Superior Locking Performance

No-Slack® II Series Air Actuated Top Plate Parts Listing

Item No.	Description	Part Number	Quantity
①	Wedge Stop Rod Nut	NUT-319	1
②	Flat Washer, 5/8", Plain	WSH-304-5	2
③	Wedge Stop Rod Spring	SPR-317	1
④	Wedge Stop Rod **	ROD-1108	1
⑤	Grease Fitting	MSC-375	4
⑥	Bracket Pin	PIN-191P	2
⑦	Bracket Retainer Pin	PIN-124P	2
⑧	Cotter Pin, 3/16" x 1"	PIN-165	5
⑨	Bumper Spring	SPR-374	1
⑩	Handle Spring	SPR-338	1
⑪	Hex Head Bolt, 1/2" -13 x 1-1/2", Grade 5	BLT-302-13	1
⑫	Flat Washer, 1/2" I.D. 1-3/8" O.D., Plain	WSH-304-4	7
⑬	Secondary Lock	LAT-6000*	1
⑭	Bushing, 7/16"	BSH-115	1
⑮	Hex Lock Nut, 1/2" - 13, Grade "C"	NUT-303-9	4
⑯	Pull Handle	PUL-6000*	1
⑰	Hex Head Bolt, 1/2" -13 x 1-3/4", Grade 5	BLT-302-14	2
⑱	Bushing, 5/16"	BSH-629	1
⑲	Bumper	BPR-6000*	1
⑳	Timer Spring	CD-SPR-236	1
㉑	Timer	TMR-6000*	1
㉒	Operating Handle	OPR-6000	1
㉓	Hex Head Bolt, 1/2" - 13 x 2-1/4", Grade 5	BLT-302-67	1
㉔	Bushing	BSH-1225	1
㉕	Step Jaw and Wedge Set	WED-6000*	1
㉖	Hair Pin Cotter (not pictured)	PIN-336-1	1
㉗	Air Cylinder	CYL-AA-6000*	1
㉘	Shoulder Bolt, 1/2"x1-3/8" w/ 3/8"-16, Grade 5	BLT-313-2	1
㉙	Flat Washer, 3/8", Plain	WSH-304-1	1
㉚	Hex Lock Nut, 3/8" -16, Grade "B"	NUT-303-1	1
㉛	Mini-matic Jumbo Exhaust Valve	VLV-254	1

*Specify left side (driver's side) or right side (curb side) release by adding an "L" or "R" after Part # (Example: KIT-AA-6000L).

** Some custom ordered No-Slack® II Series Top Plate models use a knock out rod with no hex head or threads instead of a wedge stop rod as shown at left – see ④

Item No.	Description	Quantity
KIT-TMR-6000*		
No-Slack® II Series Timer Kit		
15	Hex Lock Nut, 1/2" - 13	1
20	Timer Spring	1
21	Timer	1
26	Hair Pin Cotter	1

Item No.	Description	Quantity
KIT-ROD-1108		
Wedge Stop Rod Kit		
1	Wedge Stop Rod Nut	1
2	Flat Washer, 5/8"	2
3	Wedge Stop Rod Spring	1
4	Wedge Stop Rod	1
8	Cotter Pin, 3/16" x 1"	1

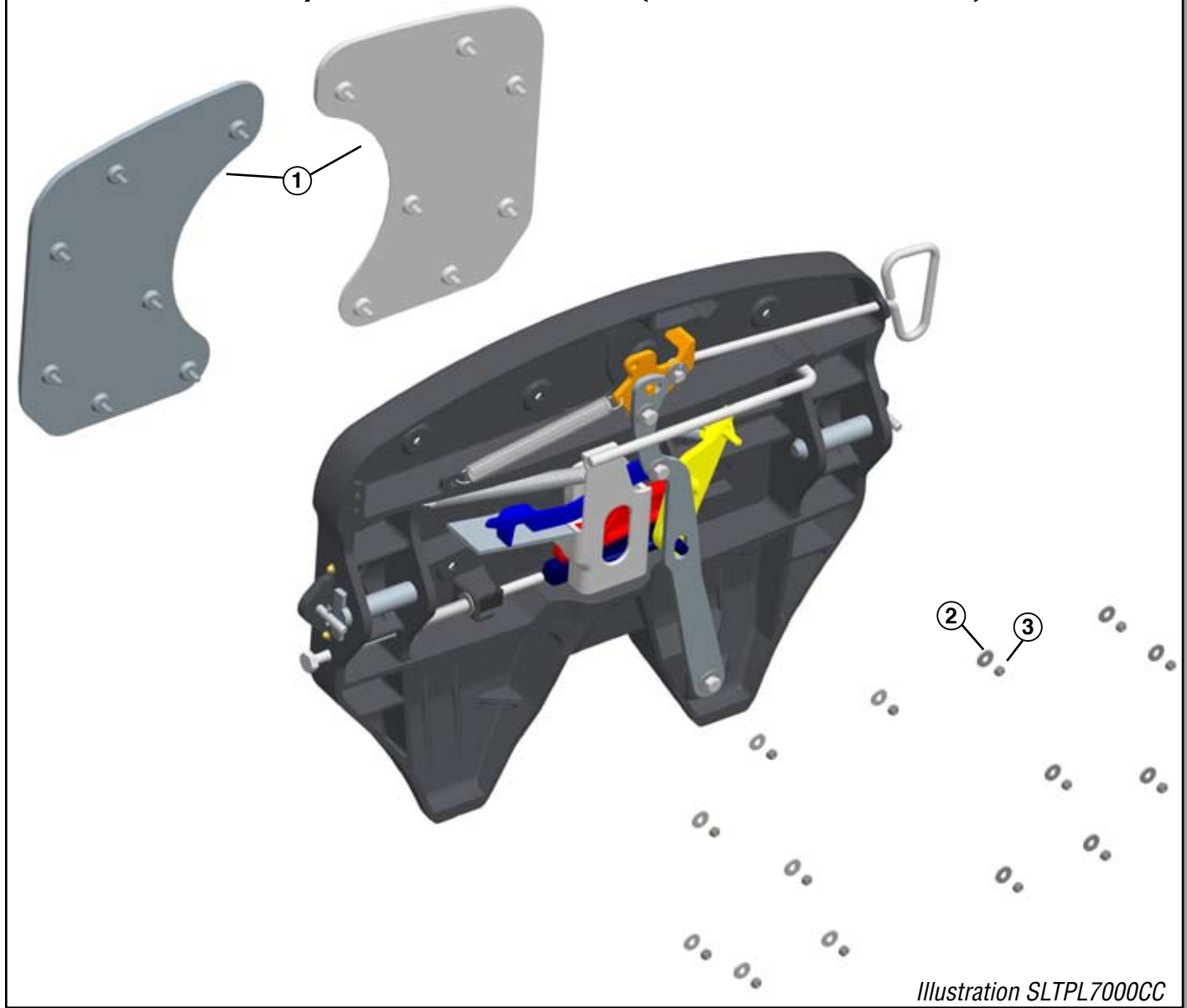
FFW Genuine KITS

Item No.	Description	Quantity
KIT-AA-6000*		
Air Actuated Conversion Kit		
9	Bumper Spring	1
15	Hex Lock Nut, 1/2" - 13	1
17	Hex Head Bolt, 1/2" - 13	1
27	Air Cylinder	1
28	Shoulder Bolt	1
29	Flat Washer	1
30	Hex Lock Nut, 3/8" -16	1
KIT-BPR-6000*		
No-Slack® II Series Bumper Kit		
12	Flat Washer, 1/2" I.D.	2
15	Hex Lock Nut, 1/2" - 13	1
17	Hex Head Bolt, 1/2" - 13	1
18	Bushing	1
19	Bumper	1
9	Bumper Spring	1
KIT-OPR-6000		
No-Slack® II Series Operating Handle Kit		
12	Flat Washer, 1/2" I.D.	2
14	Bushing, 7/16"	1
15	Lock Nut, 1/2" - 13	3
18	Bushing, 5/16"	1
24	Bushing	1
22	Operating Handle	1
23	Hex Head Bolt, 1/2" - 13	1
26	Hair Pin Cotter	1
KIT-PUL-6000*		
No-Slack® II Series Pull Handle Kit		
8	Cotter Pin, 3/16" x 1"	1
12	Flat Washer, 1/2" I.D.	1
16	Pull Handle	1
KIT-RPR-6000*		
No-Slack® II Repair Kit		
9	Bumper Spring	1
10	Handle Spring	1
14	Bushing, 7/16"	1
15	Hex Lock Nut, 1/2" - 13	3
18	Bushing, 5/16"	1
20	Timer Spring	1
25	Step Jaw and Wedge Set	1



No-Slack® II 7000 Series CC Top Plate Parts Schematic

SLTPL7000CC/AATPL7000CC (Left Side Release Shown)



The Fontaine TechLock® System

Superior Technology Delivers

Superior Locking Performance

No-Slack® II 7000 Series Clean Connect Parts Listing

Item No.	Description	Part Number	Quantity
①	CC Plates (pair)	CC-PLATES	1
②	Flat Washer, 1/2" I.D. 1-3/8" O.D., Plain	WSH-304-4	14
③	Hex Lock Nut, 1/2" - 13, Grade "C"	NUT-303-9	14

FFW Genuine KITS

Item No.	Description	Quantity
CC-PLATES		
Clean Connect Plates (Pair)		
1	CC-PLATES	1
1	WSH-304-4	14
1	NUT-303-9	14
CC-PLATES-L		
Clean Connect Plates (Left Side)		
1	CC-PLATES-L	1
1	WSH-304-4	7
1	NUT-303-9	7
CC-PLATES-R		
Clean Connect Plates (Right Side)		
1	CC-PLATES-R	1
1	WSH-304-4	7
1	NUT-303-9	7

No-Slack® 5092 Series Top Plate Parts Schematic

SLTPL5092/SLTPLH5092 (Left Side Release Shown)
SRTPL5092/SRTPLH5092 (Right Side Release)

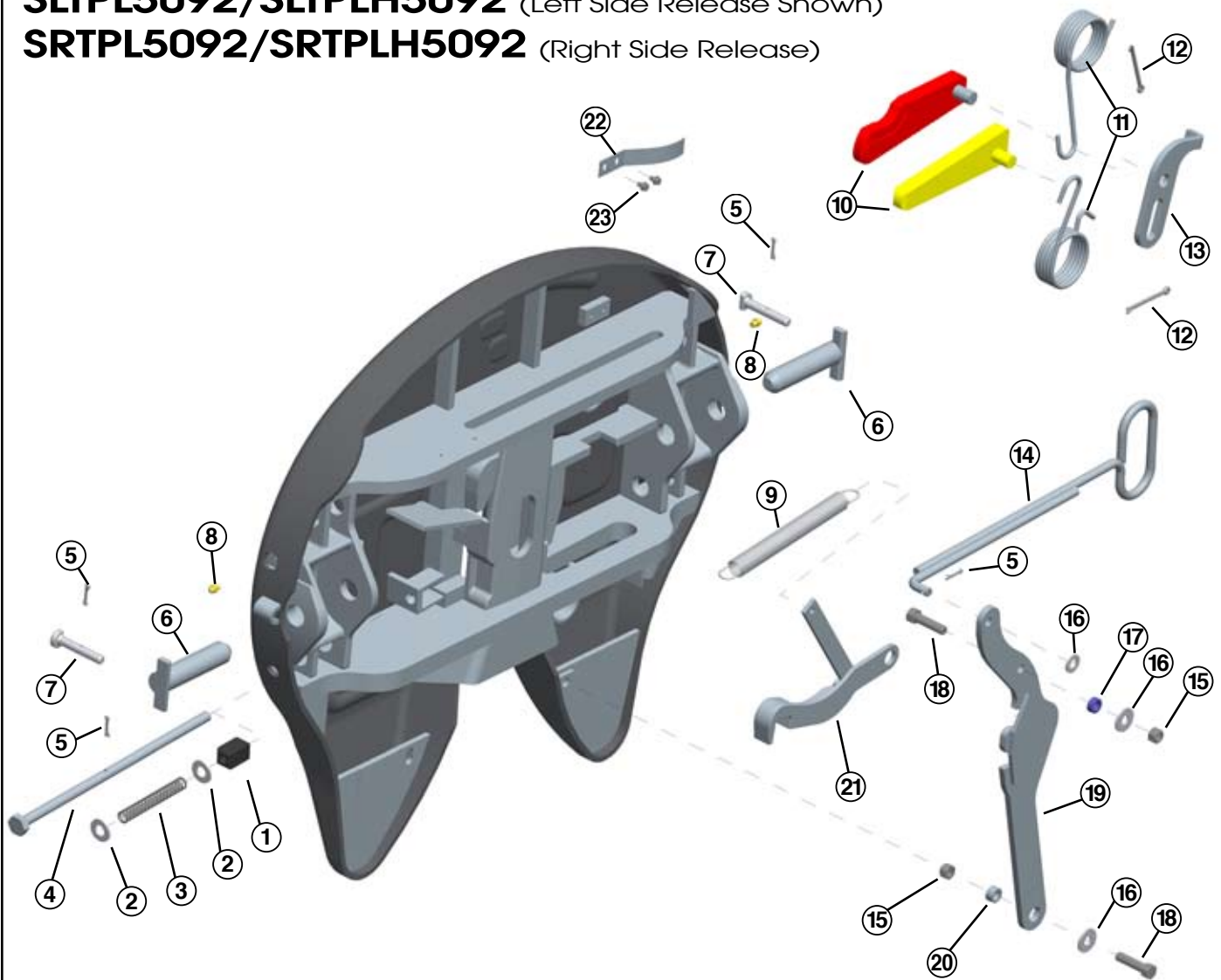


Illustration SLTPL5092

The Fontaine TechLock® System

Superior Technology Delivers
Superior Locking Performance

No-Slack® Series 5092 Top Plate Parts Listing

Item No.	Description	Part Number	Quantity
①	Wedge Stop Rod Nut	NUT-319	1
②	Flat Washer, 5/8", Plain	WSH-304-5	2
③	Wedge Stop Rod Spring	SPR-317	1
④	Wedge Stop Rod	ROD-1108	1
⑤	Cotter Pin, 3/16"x1"	PIN-165	4
⑥	Bracket Pin	PIN -191P	2
⑦	Bracket Retainer Pin	PIN -124P	2
⑧	Grease Fitting	MSC-375	2
⑨	Bumper Spring	SPR-128	1
⑩	Step Jaw and Wedge Set	WED-200-*	1
⑪	Jaw and Wedge Spring Set	SPR-137-138	1
⑫	Cotter Pin, 1/4" x 3"	PIN-95	2
⑬	Timer	TMR-134-*	1
⑭	Pull Handle	PUL-5092	1
⑮	Hex Lock Nut, 1/2"-13, Grade "C"	NUT-303-9	2
⑯	Flat Washer, 1/2" I.D. 1-3/8" O.D., Plain	WSH-304-4	3
⑰	Bushing, 5/16"	BSH-629	1
⑱	Hex Head Bolt, 1/2" - 13 x 2", Grade 5	BLT-302-15	2
⑲	Operating Handle	OPR-5000-S*	1
⑳	Bushing, 7/16"	BSH-115	1
㉑	Bumper	BPR-5092-*	1
㉒	Leaf Spring	SPR-569	1
㉓	Self Tapping Screw, 1/4" - 20 x 3/8"	SCR-425	2

* Specify left side (driver's side) or right side (curb side) release by adding an "L" or "R" after Part # (Example: KIT-RPR-5092L).

FFW Genuine KITS

Item No.	Description	Quantity
KIT-BPR-5092*		
5092 Series Bumper Kit		
9	Bumper Spring	1
15	Hex Head Bolt, 1/2" - 13	1
16	Flat Washer, 1/2" I.D.	2
17	Bushing, 5/16"	1
18	Hex Lock Nut, 1/2" - 13	2
20	Bushing, 7/16"	1
21	Bumper	1
KIT-PUL-5092		
5092 Series Pull Handle Kit		
5	Cotter Pin, 3/16" x 1"	1
14	Pull Handle	1
16	Flat Washer, 1/2" I.D.	1
KIT-RPR-5092*		
5092 Repair Kit		
9	Bumper Spring	1
10	Step Jaw and Wedge Set	1
11	Jaw and Wedge Spring Set	1
12	Cotter Pin, 1/4" x 3"	2
17	Bushing, 5/16"	1
18	Hex Lock Nut, 1/2" - 13	2
20	Bushing, 7/16"	1
KIT-ROD-1108		
Wedge Stop Rod Kit		
1	Wedge Stop Rod Nut	1
2	Flat Washer, 5/8"	2
3	Wedge Stop Rod Spring	1
4	Wedge Stop Rod	1
5	Cotter Pin, 3/16" x 1"	1
KIT-TMR-134*		
5000 Series Timer Kit		
13	Timer	1
17	Bushing 5/16"	1
18	Hex Lock Nut, 1/2" - 13	2
20	Bushing 7/16"	1

No-Slack® 5092 Series Top Plate Air Actuated Parts Schematic

AATPL5092 (Left Side Release Shown)
AATPLH5092 (Left Side Release)

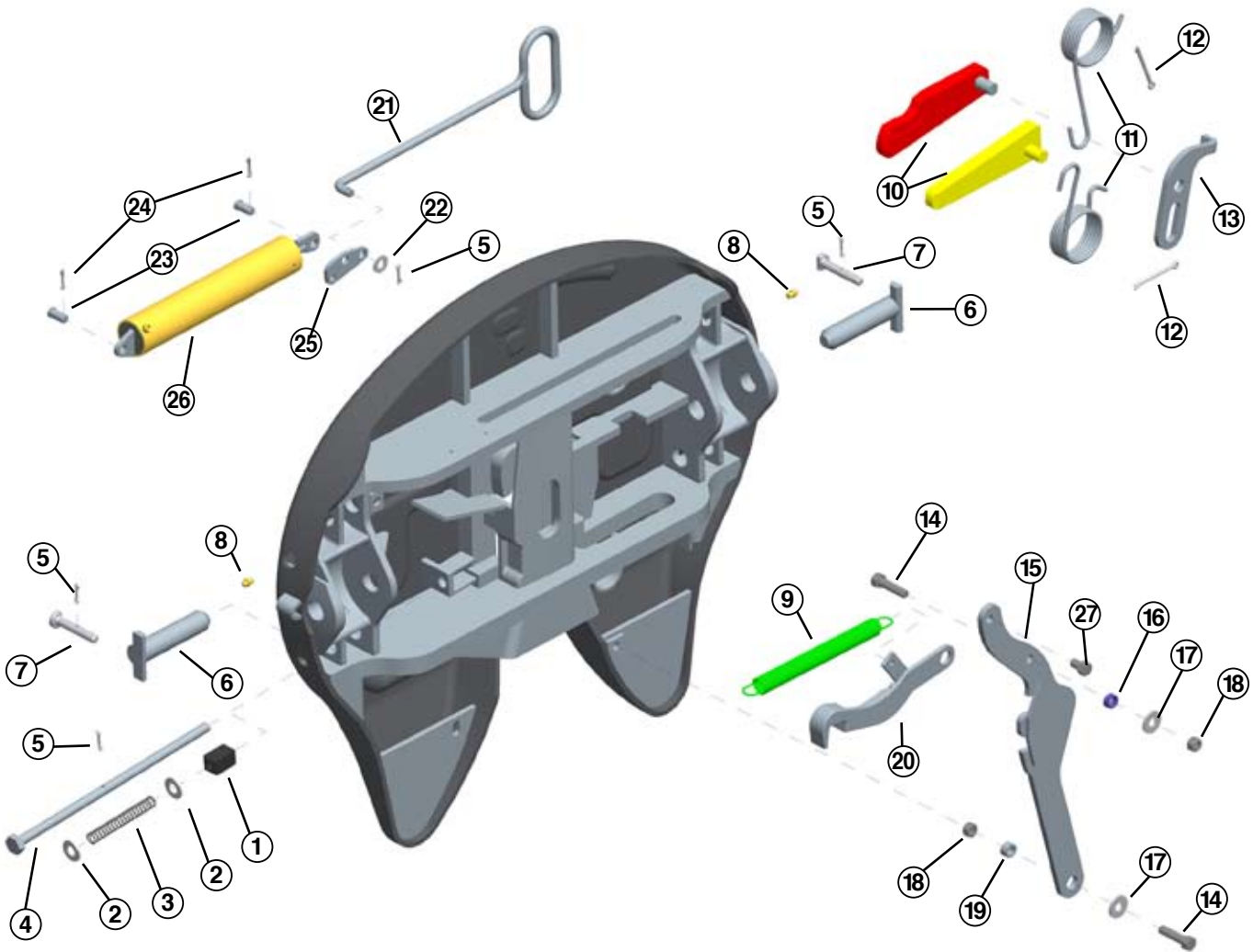


Illustration AATPL5092LM

The Fontaine TechLock® System
Superior Technology Delivers
Superior Locking Performance

No-Slack® 5092 Series Top Plate Air Actuated Parts Listing

Item No.	Description	Part Number	Quantity
①	Wedge Stop Rod Nut	NUT-319	1
②	Flat Washer, 5/8", Plain	WSH-304-5	2
③	Wedge Stop Rod Spring	SPR-317	1
④	Wedge Stop Rod	ROD-1108	1
⑤	Cotter Pin, 3/16"x1"	PIN-165	4
⑥	Bracket Pin	PIN -191P	2
⑦	Bracket Retainer Pin	PIN -124P	2
⑧	Grease Fitting	MSC-375	2
⑨	Bumper Spring	SPR-128	1
⑩	Step Jaw and Wedge Set	WED-200-L	1
⑪	Jaw and Wedge Spring Set	SPR-137-138	1
⑫	Cotter Pin, 1/4" x 3"	PIN-95	2
⑬	Timer	TMR-134-L	1
⑭	Hex Head Bolt, 1/2" - 13 x 2", Grade 5	BLT-302-15	2
⑮	Operating Handle	OPR-5000-SL	1
⑯	Bushing, 5/16"	BSH-629	1
⑰	Flat Washer, 1/2" I.D. 1-3/8" O.D., Plain	WSH-304-4	7
⑱	Hex Lock Nut, 1/2"-13, Grade "C"	NUT-303-9	2
⑲	Bushing, 7/16"	BSH-115	1
⑳	Bumper	BPR-131-L	1
㉑	Air Pull Handle	PUL-5092-AA	1
㉒	Flat Washer, 1/2" I.D. 1" O.D., Plain	WSH-304-3	1
㉓	Clevis Pin 3/8" x 2"	PIN-307-4	2
㉔	Cotter Pin 5/32" x 1"	PIN-306-3	2
㉕	Handle Adapter	AA-204	1
㉖	Air Cylinder	CYL-5AA-5092	1
㉗	Hex Head Bolt, 1/2" - 13 x 3/4", Grade 5	BLT-302-64	1

FFW Genuine KITS

Item No.	Description	Quantity
KIT-BPR-131-L		
AA5092 Series Bumper Kit		
9	Bumper Spring	1
14	Hex Head Bolt, 1/2" - 13	1
16	Bushing, 5/16"	1
17	Flat Washer, 1/2" I.D.	2
18	Hex Lock Nut, 1/2" - 13	2
19	Bushing, 7/16"	1
20	Bumper	1
KIT-RPR-5092L		
5092 Repair Kit		
9	Bumper Spring	1
10	Step Jaw and Wedge Set	1
19	Bushing, 7/16"	1
11	Jaw and Wedge Spring Set	1
12	Cotter Pin, 1/4" x 3"	2
16	Bushing, 5/16"	1
18	Hex Lock Nut, 1/2" - 13	2
KIT-ROD-1108		
Wedge Stop Rod Kit		
1	Wedge Stop Rod Nut	1
2	Flat Washer, 5/8"	2
3	Wedge Stop Rod Spring	1
4	Wedge Stop Rod	1
5	Cotter Pin, 3/16" x 1"	1
KIT-TMR-134L		
5000 Series Timer Kit		
13	Timer	1
16	Bushing, 5/16"	1
18	Hex Lock Nut, 1/2" - 13	2
19	Bushing, 7/16"	1
KIT-AA-5092L		
5092 Series Air Actuated Conversion Kit		
21	Air Pull Handle	1
22	Flat Washer 1/2" I.D.	1
23	Clevis Pin 1/2"	2
24	Cotter Pin 5/32"	2
25	Handle Adapter	1
26	Air Cylinder	1
27	Hex Head Bolt, 1/2" - 13	1

No-Slack® 5092 Series Xtra® Heavy Duty Top Plate Parts Schematic

SLTPLX5092 (Left Side Release Shown)
SRTPLX5092 (Right Side Release)

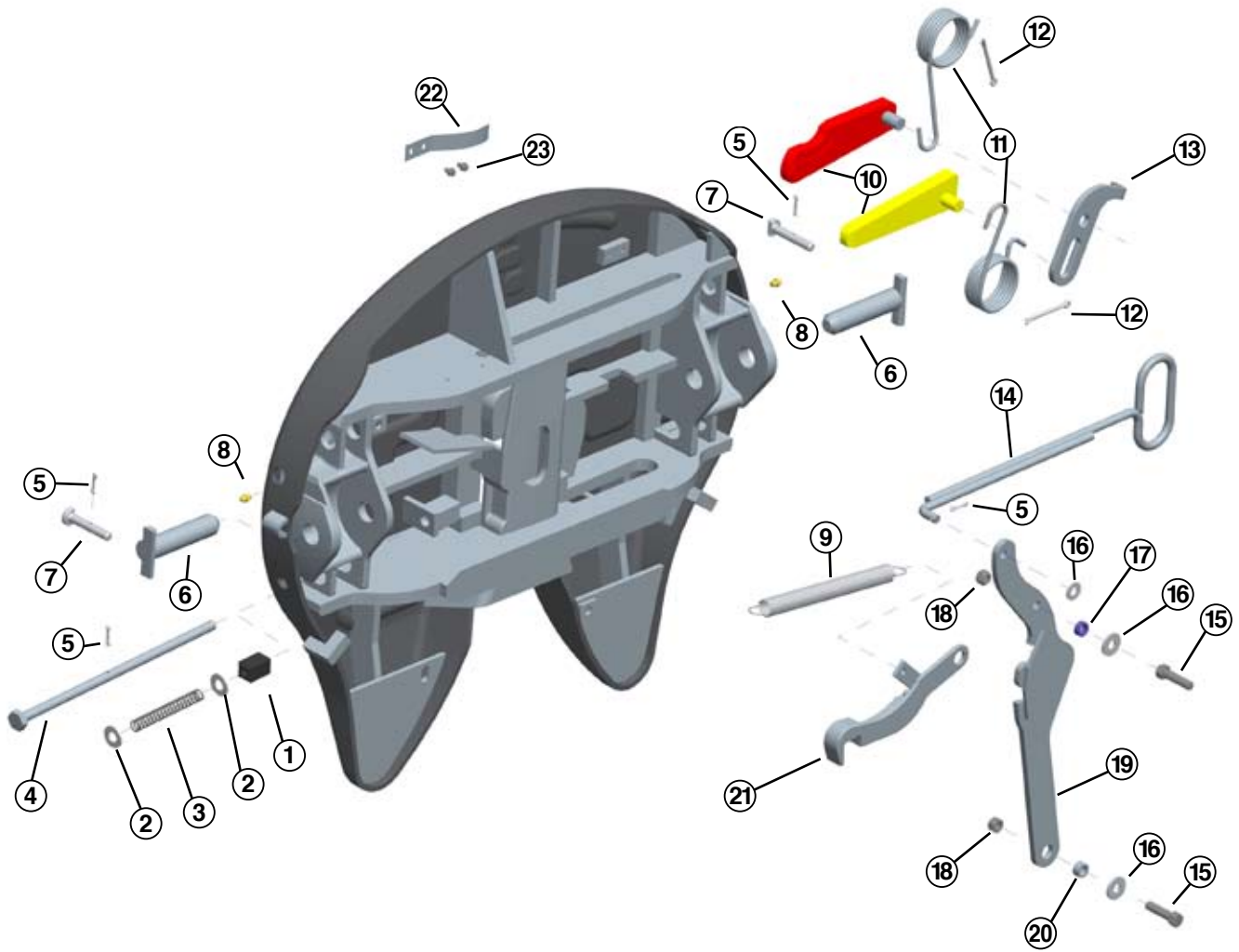


Illustration SLTPLX5092

The Fontaine TechLock® System

Superior Technology Delivers
Superior Locking Performance

No-Slack® 5092 Series Xtra® Heavy Duty Top Plate Parts Listing

Item No.	Description	Part Number	Quantity
①	Wedge Stop Rod Nut	NUT-319	1
②	Flat Washer, 5/8", Plain	WSH-304-5	2
③	Wedge Stop Rod Spring	SPR-317	1
④	Wedge Stop Rod	ROD-1108	1
⑤	Cotter Pin, 3/16"x1"	PIN-165	4
⑥	Bracket Pin	PIN-191P	2
⑦	Bracket Retainer Pin	PIN-289P	2
⑧	Grease Fitting	MSC-375	2
⑨	Bumper Spring	SPR-128	1
⑩	Step Jaw and Wedge Set	WED-200-*	1
⑪	Jaw and Wedge Spring Set	SPR-137-138	1
⑫	Cotter Pin, 1/4" x 3"	PIN-95	2
⑬	Timer	TMR-134-*	1
⑭	Pull Handle	PUL-5092	1
⑮	Hex Head Bolt, 1/2" - 13 x 2"	BLT-302-15	2
⑯	Flat Washer, 1/2" I.D. 1-3/8" O.D., Plain	WSH-304-4	7
⑰	Bushing, 5/16"	BSH-629	1
⑱	Hex Lock Nut, 1/2"-13, Grade "C"	NUT-303-9	2
⑲	Operating Handle	OPR-5000-SL	1
⑳	Bushing, 7/16"	BSH-115	1
㉑	Bumper	BPR-131-*	1
㉒	Leaf Spring	SPR-569	1
㉓	Self Tapping Screw, 1/4" - 20 x 3/8"	SCR-425	2

* Specify left side (driver's side) or right side (curb side) release by adding an "L" or "R" after Part # (Example: KIT-RPR-5092L).

FFW Genuine KITS

Item No.	Description	Quantity
KIT-BPR-131-*		
5000 Series Bumper Kit		
9	Bumper Spring	1
15	Hex Head Bolt, 1/2" - 13	1
16	Flat Washer, 1/2" I.D.	2
17	Bushing, 5/16"	1
18	Hex Lock Nut, 1/2" - 13	2
20	Bushing, 7/16"	1
21	Bumper	1
KIT-PIN-XHD		
XHD Series Pin and Bushing Kit		
5	Cotter Pin, 3/16" x 1"	2
6	Bracket Pin	2
7	Bracket Retainer Pin	2
Not Pictured	Bracket Bushing (pr.)	1
KIT-PUL-5092		
5092 Series Pull Handle Kit		
5	Cotter Pin, 3/16" x 1"	1
14	Pull Handle	1
16	Flat Washer, 1/2" I.D.	1
KIT-RPR-5092*		
5092 Repair Kit		
9	Bumper Spring	1
10	Step Jaw and Wedge Set	1
11	Jaw and Wedge Spring Set	1
12	Cotter Pin, 1/4" x 3"	2
17	Bushing, 5/16"	1
18	Hex Lock Nut, 1/2" - 13	2
20	Bushing, 7/16"	1
KIT-ROD-1108		
Wedge Stop Rod Kit		
1	Wedge Stop Rod Nut	1
2	Flat Washer, 5/8"	2
3	Wedge Stop Rod Spring	1
4	Wedge Stop Rod	1
5	Cotter Pin, 3/16" x 1"	1
KIT-TMR-134*		
5000 Series Timer Kit		
13	Timer	1
17	Bushing, 5/16"	1
18	Hex Lock Nut, 1/2" - 13	2
20	Bushing, 7/16"	1

ATB Air Slide Bracket and Rails Parts Schematic

ASYATB824 (8-3/4" Height, 24" Travel Shown)

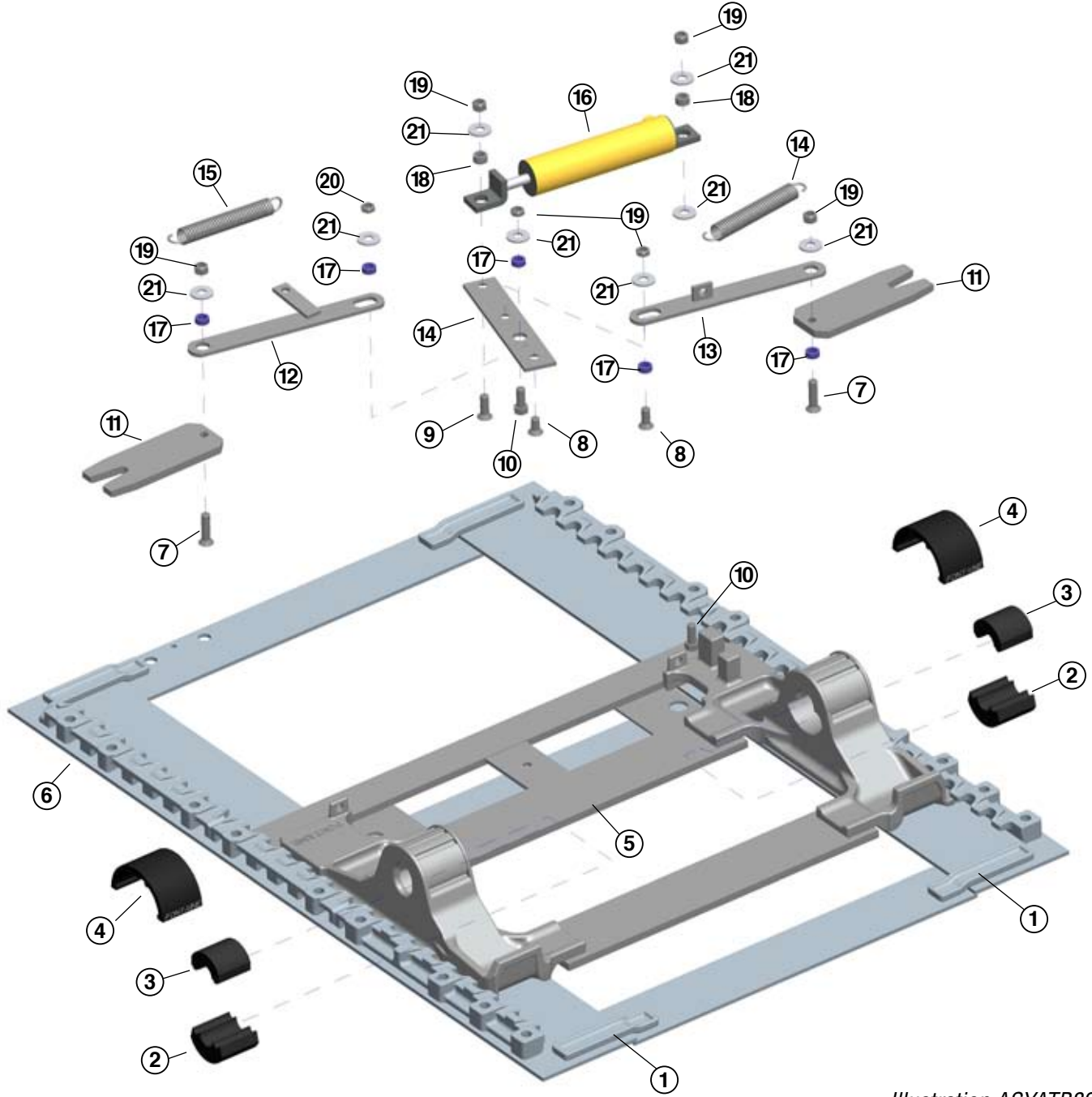


Illustration ASYATB824

The Fontaine TechLock® System
Superior Technology Delivers
Superior Locking Performance

ATB Air Slide Bracket and Rails Parts List

Item No.	Description	Part Number	Quantity
①	Rear Slide Stop	MSC-291	2
②	Lower Bracket Bushing (pr.)	BSH-109-L	1
③	Upper Bracket Bushing (pr.)	BSH-172-U	1
④	Bracket Liners	LNR-BKT-107*	2
⑤	Slide Bracket	See Slide Bracket Chart	1
⑥	Slide Rail	See Slide Rail Chart	1
⑦	Flat Head Socket, 1/2" -13 x 2", Grade 5	BLT-301-5	2
⑧	Flat Head Socket, 1/2" -13 x 1", Grade 5	BLT-301-2	2
⑨	Flat Head Socket, 1/2" -13 x 1-1/2", Grade 5	BLT-301-3	1
⑩	Hex Head Bolt, 1/2" -13 x 1", Grade 5	BLT-302-12	2
⑪	Locking Wedge (pr.)	LOC-287	1
⑫	Locking Wedge Release Bar	LOC-683	1
⑬	Locking Wedge Release Bar	LOC-664	1
⑭	Latching Lever	LEV-686	1
⑮	Locking Member Spring	SPR-632	2
⑯	Air Cylinder	CYL-COMP	1
⑰	Bushing, 5/16"	BSH-629	5
⑱	Bushing, 7/16"	BSH-115	2
⑲	Hex Lock Nut, 1/2" -13, Grade "C"	NUT-303-9	4
⑳	Hex Jam Nut, 1/2" -13, Grade "B"	NUT-303-6	3
㉑	Flat Washer, 1/2" I.D., 1-3/8" O.D., Plain	WSH-304-4	8

Air Slide Brackets – ATB

Part No.	Mounted Height
BKTATB6PT	6-3/4"
BKTATB7PT	7-3/4"
BKTATB8PT	8-3/4"
BKTATB9PT	9-3/4"
BKTATB10PT	10-3/4"

NOTE: Slide Brackets include item numbers 2-5, and 7 through 21.

Slide Rails – ATB

Part No.	Slide Travel	Length
SLRTB12	12"	42"
SLRTB16	16"	46"
SLRTB24	24"	54"
SLRTB36	36"	66"
SLRTB48	48"	78"

NOTE: Slide Rails include item numbers 1 and 6.

Bolt Kits

Description	Quantity
KIT-SLD-1412 (12" Slide Bolt Kit)	
BLT-302-25	2
BLT-302-27	12
NUT-303-3	14
WSH-304-7	28
KIT-SLD-1824 (24" Slide Bolt Kit)	
BLT-302-25	2
BLT-302-27	16
NUT-303-3	18
WSH-304-7	36

Description	Quantity
KIT-SLD-2236 (36" Slide Bolt Kit)	
BLT-302-25	2
BLT-302-27	20
NUT-303-3	22
WSH-304-7	44
KIT-SLD-2648 (48" Slide Bolt Kit)	
BLT-302-25	2
BLT-302-27	24
NUT-303-3	26
WSH-304-7	52

Rebuild Kit

Item No.	Description	Quantity
KIT-ATB		
Complete Rebuild Kit		
7	BLT-301-5	2
8	BLT-301-2	1
9	BLT-301-3	1
10	BLT-302-12	1
11	LOC-287	2
12	LOC-683	1
13	LOC-664	1
14	LEV-686	1
15	SPR-632	2
16	CYL-COMP	1
17	BSH-629	5
18	NUT-303-9	4
19	NUT-303-6	3
20	WSH-304-4	6

*Note: For heavy duty applications use bracket liner part number LNR-BKT-171.

MTB Manual Slide Bracket and Rails Parts Schematic

ASYMTB824 (8-3/4" Height, 24" Travel Shown)

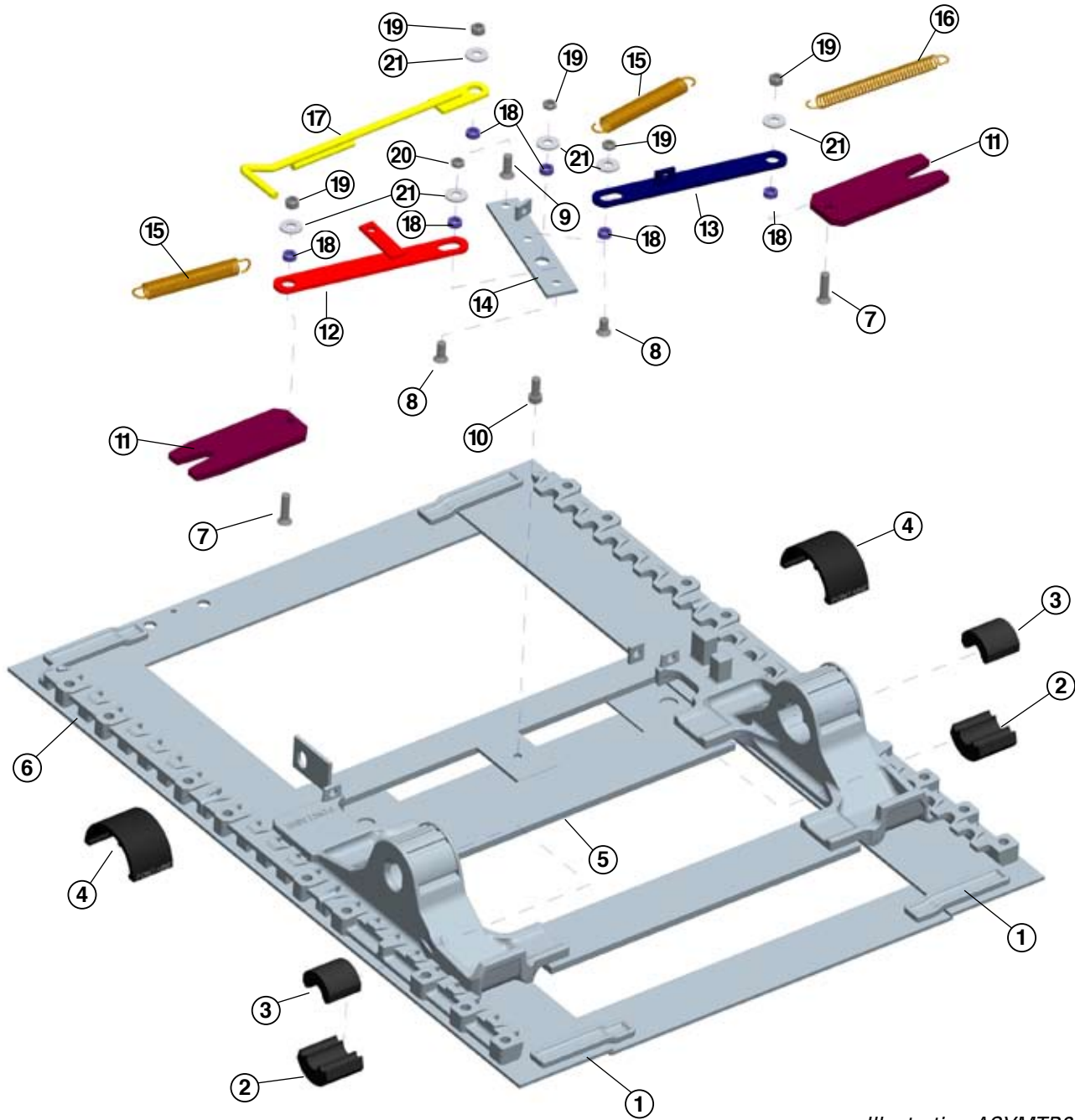


Illustration ASYMTB824

The Fontaine TechLock® System
Superior Technology Delivers
Superior Locking Performance

MTB Manual Slide Bracket and Rails Parts List

Item No.	Description	Part Number	Quantity
①	Rear Slide Stop	MSC-291	2
②	Lower Bracket Bushing (pr.)	BSH-109-L	1
③	Upper Bracket Bushing (pr.)	BSH-172-U	1
④	Bracket Liners	LNR-BKT-107	2
⑤	Slide Bracket	See Slide Bracket Chart	1
⑥	Slide Rail	See Slide Rail Chart	1
⑦	Flat Head Socket, 1/2" -13 x 2", Grade 5	BLT-301-5	2
⑧	Flat Head Socket, 1/2" -13 x 1", Grade 5	BLT-301-2	2
⑨	Flat Head Socket, 1/2" -13 x 1-1/2", Grade 5	BLT-301-3	1
⑩	Hex Head Bolt, 1/2" -13 x 1", Grade 5	BLT-302-12	1
⑪	Locking Wedge (pr.)	LOC-287	1
⑫	Locking Wedge Release Bar	LOC-683	1
⑬	Locking Wedge Release Bar	LOC-664	1
⑭	Latching Lever	LEV-686	1
⑮	Locking Member Spring	SPR-632	2
⑯	Latching Lever Spring	SPR-233	1
⑰	Pull Handle	PUL-5MWS	1
⑱	Bushing, 5/16"	BSH-629	5
⑲	Hex Lock Nut, 1/2" -13, Grade "C"	NUT-303-9	4
⑳	Hex Jam Nut, 1/2" -13, Grade "B"	NUT-303-6	3
㉑	Flat Washer, 1/2" I.D., 1-3/8" O.D., Plain	WSH-304-4	8

Slide Brackets – MTB

Part No.	Mounted Height
BKTMTB6PT	6-3/4"
BKTMTB7PT	7-3/4"
BKTMTB8PT	8-3/4"
BKTMTB9PT	9-3/4"
BKTMTB10PT	10-3/4"

NOTE: Slide Brackets include item numbers 2-5, and 7 through 21.

Slide Rails – MTB

Part No.	Slide Travel	Length
SLRTB12	12"	42"
SLRTB16	16"	46"
SLRTB24	24"	54"
SLRTB36	36"	66"
SLRTB48	48"	78"

NOTE: Slide Rails include item numbers 1 and 6.

Bolt Kits

Description	Quantity
KIT-SLD-1412 (12" Slide Bolt Kit)	
BLT-302-25	2
BLT-302-27	12
NUT-303-3	14
WSH-304-7	28
KIT-SLD-1824 (24" Slide Bolt Kit)	
BLT-302-25	2
BLT-302-27	16
NUT-303-3	18
WSH-304-7	36

Description	Quantity
KIT-SLD-2236 (36" Slide Bolt Kit)	
BLT-302-25	2
BLT-302-27	20
NUT-303-3	22
WSH-304-7	44
KIT-SLD-2648 (48" Slide Bolt Kit)	
BLT-302-25	2
BLT-302-27	24
NUT-303-3	26
WSH-304-7	52

ASB Air Slide Bracket and Rails Parts Schematic

ASYASB824 (8-3/4" Height, 24" Travel Shown)

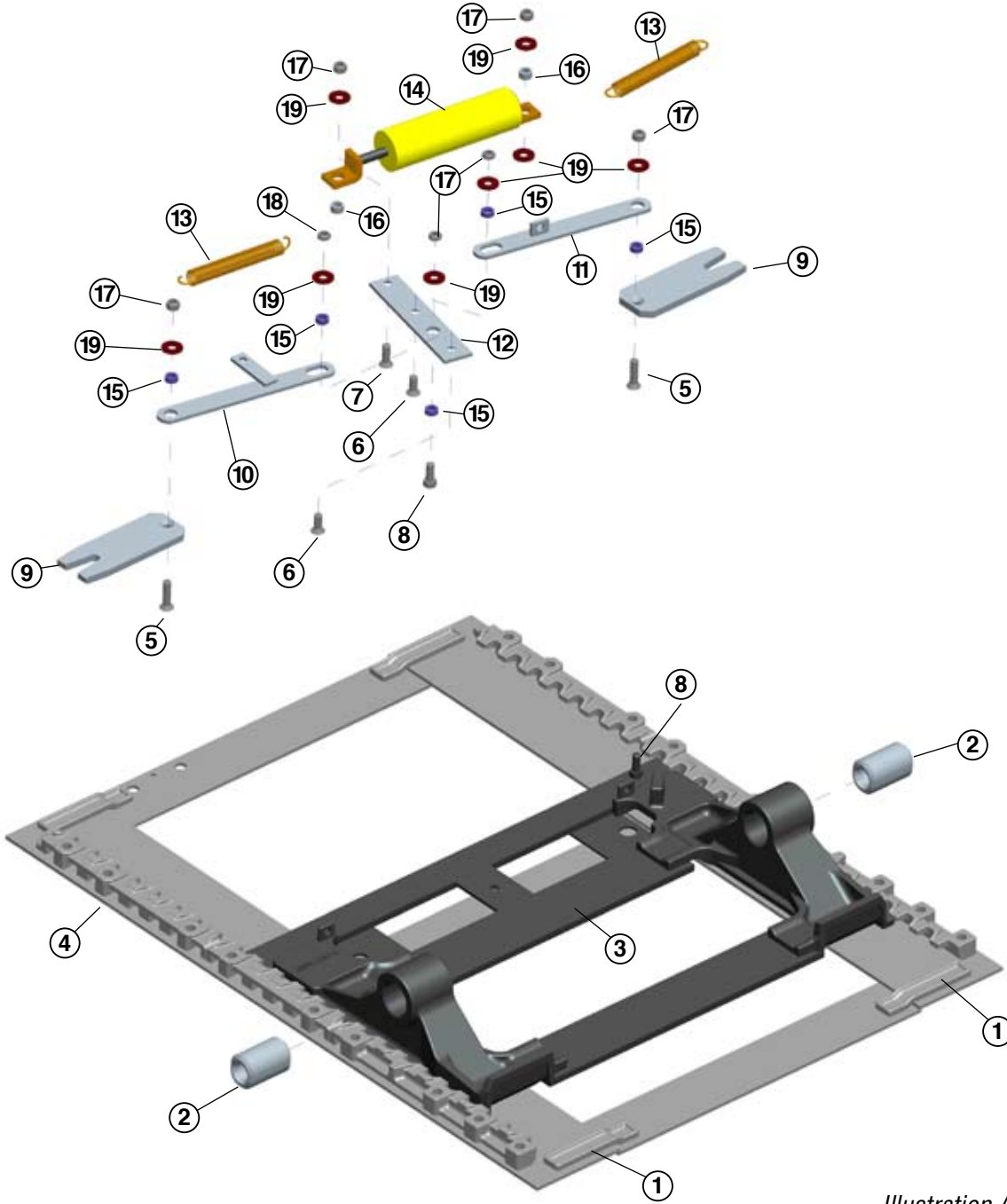


Illustration ASYASB824

The Fontaine TechLock® System
Superior Technology Delivers
Superior Locking Performance

ASB Air Slide Bracket and Rails Parts List

Item No.	Description	Part Number	Quantity
①	Rear Slide Stop	MSC-291	2
②	Bracket Bushing (pr.)	BSH-3000	1
③	Slide Bracket	See Slide Bracket Chart	1
④	Slide Rail	See Slide Rail Chart	1
⑤	Flat Head Socket, 1/2" -13 x 2", Grade 5	BLT-301-5	2
⑥	Flat Head Socket, 1/2" -13 x 1", Grade 5	BLT-301-2	2
⑦	Flat Head Socket, 1/2" -13 x 1-1/2", Grade 5	BLT-301-3	1
⑧	Hex Head Bolt, 1/2" -13 x 1", Grade 5	BLT-302-12	2
⑨	Locking Wedge (pr.)	LOC-287	1
⑩	Locking Wedge Release Bar	LOC-683	1
⑪	Locking Wedge Release Bar	LOC-664	1
⑫	Latching Lever	LEV-686	1
⑬	Locking Member Spring	SPR-632	2
⑭	Air Cylinder	CYL-COMP	1
⑮	Bushing, 5/16"	BSH-629	5
⑯	Bushing, 7/16"	BSH-115	2
⑰	Hex Lock Nut, 1/2" -13, Grade "C"	NUT-303-9	4
⑱	Hex Jam Nut, 1/2" -13, Grade "B"	NUT-303-6	3
⑲	Flat Washer, 1/2" I.D., 1-3/8" O.D., Plain	WSH-304-4	8

Air Slide Brackets – ASB

Part No.	Mounted Height
BKTASB6PT	6-3/4"
BKTASB7PT	7-3/4"
BKTASB8PT	8-3/4"

NOTE: Slide Brackets include item numbers 2, 3, and 5 through 19.

Slide Rails – ASB

Part No.	Slide Travel	Length
SLRTB12	12"	42"
SLRTB16	16"	46"
SLRTB24	24"	54"
SLRTB36	36"	66"

NOTE: Slide Rails include item numbers 1 and 4.

Bolt Kits

Description	Quantity
KIT-SLD-1412 (12" Slide Bolt Kit)	
BLT-302-25	2
BLT-302-27	12
NUT-303-3	14
WSH-304-7	28
KIT-SLD-1824 (24" Slide Bolt Kit)	
BLT-302-25	2
BLT-302-27	16
NUT-303-3	18
WSH-304-7	36

Description	Quantity
KIT-SLD-2236 (36" Slide Bolt Kit)	
BLT-302-25	2
BLT-302-27	20
NUT-303-3	22
WSH-304-7	44

AWB Air Slide Bracket and Rails Parts Schematic

ASYAWB824 (8-3/4" Height, 24" Travel Shown)

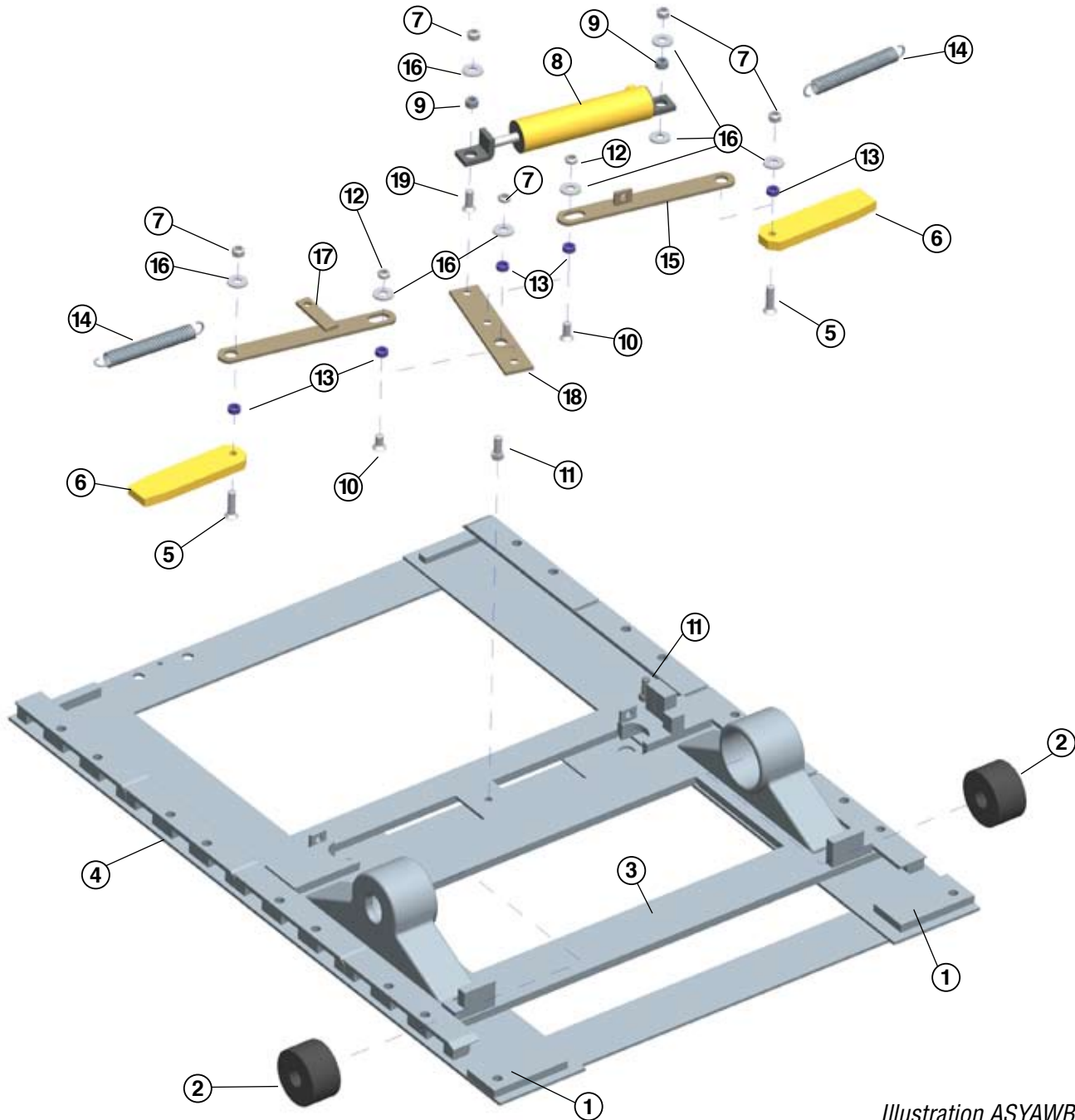


Illustration ASYAWB824

The Fontaine TechLock® System

Superior Technology Delivers
Superior Locking Performance

AWB Air Slide Bracket and Rails Parts List

Item No.	Description	Part Number	Quantity
①	Rear Slide Stop	MSC-673	2
②	Bracket Bushing (pr.)	BSH-150	1
③	Slide Bracket	See Slide Bracket Chart	1
④	Slide Rail	See Slide Rail Chart	1
⑤	Flat Head Socket, 1/2" -13 x 2", Grade 5	BLT-301-5	2
⑥	Locking Wedge (pr.)	LOC-669	1
⑦	Hex Lock Nut, 1/2" -13, Grade "C"	NUT-303-9	4
⑧	Air Cylinder	CYL-COMP	1
⑨	Bushing, 7/16"	BSH-115	2
⑩	Flat Head Socket, 1/2" -13 x 1", Grade 5	BLT-301-2	2
⑪	Hex Head Bolt, 1/2" -13 x 1", Grade 5	BLT-302-12	2
⑫	Hex Jam Nut, 1/2" -13, Grade "B"	NUT-303-6	3
⑬	Bushing, 5/16"	BSH-629	5
⑭	Locking Member Spring	SPR-632	2
⑮	Locking Wedge Release Bar	LOC-664	1
⑯	Flat Washer, 1/2" I.D., 1-3/8" O.D., Plain	WSH-304-4	8
⑰	Locking Wedge Release Bar	LOC-683	1
⑱	Latching Lever	LEV-686	1
⑲	Flat Head Socket, 1/2" -13 x 1-1/2", Grade 5	BLT-301-3	1

Air Slide Brackets –AWB

Part No.	Mounted Height
BKTAWB6PT*	6-3/4"
BKTAWB7PT	7-3/4"
BKTAWB8PT	8-3/4"
BKTAWB9PT	9-3/4"
BKTAWB10PT	10-3/4"

**For Heavy Duty Application Use BKTAWS6PT.
NOTE: Slide Brackets include item numbers 5, 6, and 8 thru 22.*

Slide Rails – AWB

Part No.	Slide Travel	Length
SLR12B	12"	42"
SLR16B	16"	46"
SLR20B	20"	50"
SLR24B	24"	54"
SLR36B	36"	66"
SLR48B	48"	78"

NOTE: Slide Rails include item numbers 1 thru 4 and 7.

Bolt Kits

Description	Quantity
KIT-SLD-1412 (12" Slide Bolt Kit)	
BLT-302-25	2
BLT-302-27	12
NUT-303-3	14
WSH-304-7	28
KIT-SLD-1824 (24" Slide Bolt Kit)	
BLT-302-25	2
BLT-302-27	16
NUT-303-3	18
WSH-304-7	36

Description	Quantity
KIT-SLD-2236 (36" Slide Bolt Kit)	
BLT-302-25	2
BLT-302-27	20
NUT-303-3	22
WSH-304-7	44
KIT-SLD-2648 (48" Slide Bolt Kit)	
BLT-302-25	2
BLT-302-27	24
NUT-303-3	26
WSH-304-7	52

Rebuild Kit

Item No.	Description	Quantity
KIT-AWB		
Complete Rebuild Kit		
5	BLT-301-5	2
6	LOC-669	1
7	NUT-303-9	2
8	CYL-COMP	1
10	BLT-301-2	2
11	BLT-301-12	1
12	NUT-303-6	3
13	BSH-629	5
14	SPR-632	2
15	LOC-664	1
16	WSH-304-4	6
17	LOC-683	1
18	LEV-686	1

MWS Manual Slide Bracket and Rails Parts Schematic

ASYMWS824 (8-3/4" Height, 24" Slide Travel Shown)

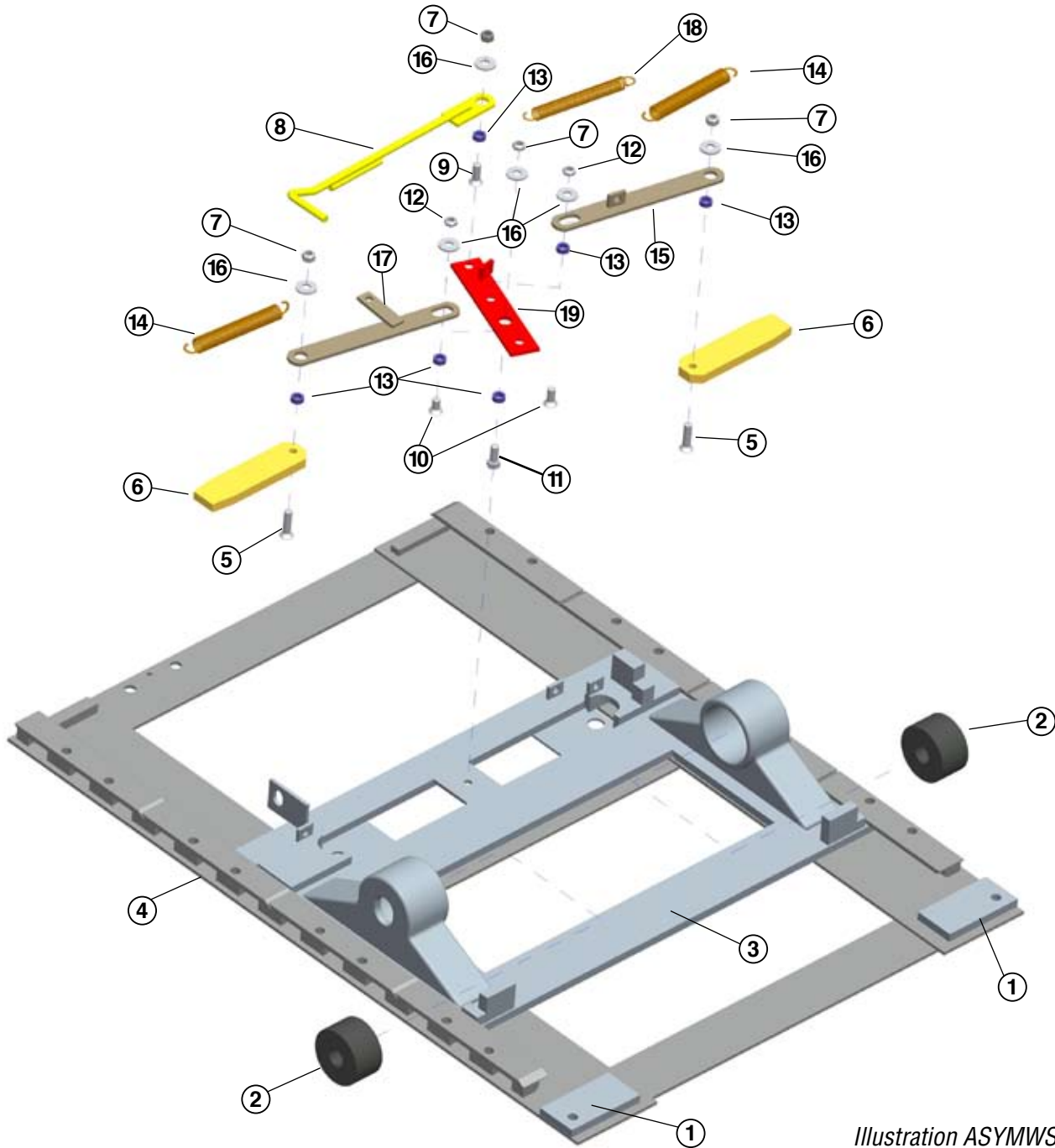


Illustration ASYMWS824

The Fontaine TechLock® System

Superior Technology Delivers
Superior Locking Performance

MWS Manual Slide Bracket and Rails Parts List

Item No.	Description	Part Number	Quantity
①	Rear Slide Stop	MSC-673	2
②	Bracket Bushing (pr.)	BSH-150	1
③	Slide Bracket	See Slide Bracket Chart	1
④	Slide Rail	See Slide Rail Chart	1
⑤	Flat Head Socket, 1/2" -13 x 2", Grade 5	BLT-301-5	2
⑥	Locking Wedge (pr.)	LOC-669	1
⑦	Hex Lock Nut, 1/2" -13, Grade "C"	NUT-303-9	3
⑧	Pull Handle	PUL-5MWS	1
⑨	Flat Head Socket, 1/2" -13 x 1-1/2", Grade 5	BLT-301-3	1
⑩	Flat Head Socket, 1/2" -13 x 1", Grade 5	BLT-301-1	2
⑪	Hex Head Bolt, 1/2" -13 x 1", Grade 5	BLT-302-11	1
⑫	Hex Jam Nut, 1/2" -13, Grade "B"	NUT-303-6	3
⑬	Bushing, 5/16"	BSH-629	6
⑭	Locking Member Spring	SPR-632	2
⑮	Locking Wedge Release Bar	LOC-664	1
⑯	Flat Washer, 1/2" I.D., 1-3/8" O.D., Plain	WSH-304-4	6
⑰	Locking Wedge Release Bar	LOC-683	1
⑱	Latching Lever Spring	SPR-233	1
⑲	Latching Lever	LEV-663	1

Manual Slide Brackets—MWS

Part No.	Mounted Height
BKTMWS6PT	6-3/4"
BKTMWS7PT	7-3/4"
BKTMWS8PT	8-3/4"
BKTMWS9PT	9-3/4"
BKTMWS10PT	10-3/4"

NOTE: Slide Brackets include item numbers 2, 3 and 5 thru 19.

Slide Rails – MWS

Part No.	Slide Travel	Length
SLR12B	12"	42"
SLR16B	16"	46"
SLR20B	20"	50"
SLR24B	24"	54"
SLR36B	36"	66"
SLR48B	48"	78"

NOTE: Slide Rails include item numbers 1 and 4.

Bolt Kits

Description	Quantity
KIT-SLD-1412 (12" Slide Bolt Kit)	
BLT-302-25	2
BLT-302-27	12
NUT-303-3	14
WSH-304-7	28
KIT-SLD-1824 (24" Slide Bolt Kit)	
BLT-302-25	2
BLT-302-27	16
NUT-303-3	18
WSH-304-7	36

Description	Quantity
KIT-SLD-2236 (36" Slide Bolt Kit)	
BLT-302-25	2
BLT-302-27	20
NUT-303-3	22
WSH-304-7	44
KIT-SLD-2648 (48" Slide Bolt Kit)	
BLT-302-25	2
BLT-302-27	24
NUT-303-3	26
WSH-304-7	52

LWS Light Weight Air Slide Bracket and Rails Parts List

Item No.	Description	Part Number	Quantity
①	Rear Slide Stop	MSC-1515	2
②	Lower Bracket Bushing (pr.)	BSH-109-L	1
③	Upper Bracket Bushing (pr.)	BSH-172-U	1
④	Bracket Liner (pr.)	LNR-BKT-107	1
⑤	Slide Rail	See Slide Rail Chart	1
⑥	Slide Bracket	See Slide Bracket Chart	1
⑦	Locking Wedge Assy. (pr.) (includes hardware)	LOC-LWS	1
⑧	Air Cylinder Assy. (includes hardware)	CYL-LWS	1
⑨	Hex Head Bolt, 1/2" - 13 x 1-1/2", Grade "5"	BLT-302-13	2
⑩	Bushing, 7/16"	BSH-115	2
⑪	Flat Washer, 1/2" I.D., 1-3/8" O.D., Plain	WSH-304-4	2
⑫	Hex Lock Nut, 1/2" - 13, Grade "C"	NUT-303-9	2

Air Slide Brackets—LWS	
Part No.	Mounted Height
BKT6LWSPT	6-3/4"
BKT7LWSPT	7-3/4"
BKT8LWSPT	8-3/4"

NOTE: Slide Brackets include item numbers 3 thru 12.

Slide Rails – LWS		
Part No.	Slide Travel	Length
SLR12LWS	12"	37-1/4"
SLR24LWS	24"	49-1/4"
SLR36LWS	36"	61-1/4"

NOTE: Slide Rails include item numbers 1 and 2.

Bolt Kits

Description	Quantity
KIT-SLD-1412 (12" Slide Bolt Kit)	
BLT-302-25	2
BLT-302-27	12
NUT-303-3	14
WSH-304-7	28
KIT-SLD-1824 (24" Slide Bolt Kit)	
BLT-302-25	2
BLT-302-27	16
NUT-303-3	18
WSH-304-7	36

Description	Quantity
KIT-SLD-2236 (36" Slide Bolt Kit)	
BLT-302-25	2
BLT-302-27	20
NUT-303-3	22
WSH-304-7	44



AWS Low Mount Air Slide Bracket and Rails Parts Schematic

ASYAWS624 (6-3/4" Height, 24" Slide Travel Shown)

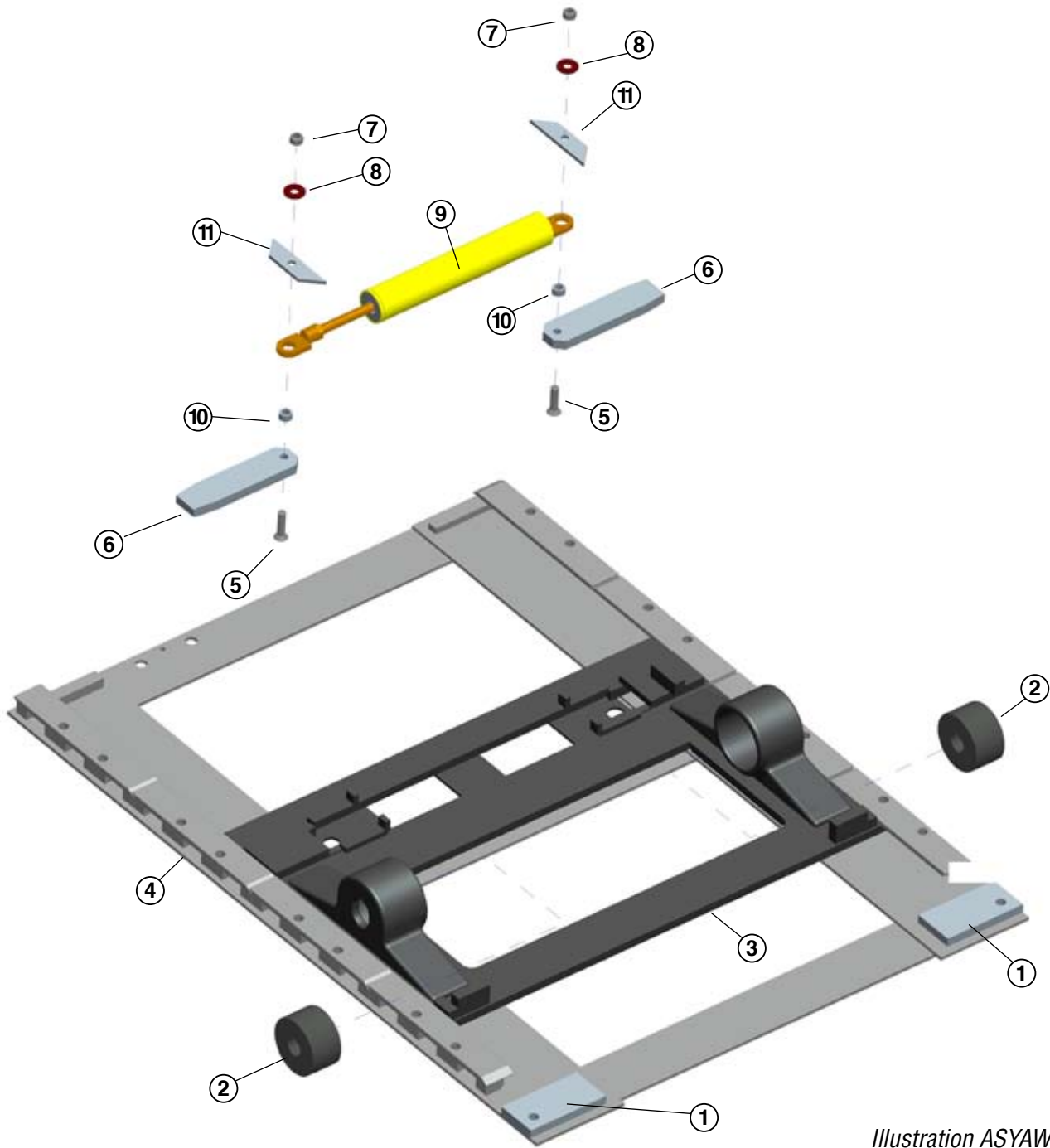


Illustration ASYAWS624

The Fontaine TechLock® System

Superior Technology Delivers
Superior Locking Performance

AWS Low Mount Air Slide Bracket and Rails Parts List

Item No.	Description	Part Number	Quantity
①	Rear Slide Stop	MSC-673	2
②	Bracket Bushing (pr.)	BSH-150	1
③	Slide Bracket	See Slide Bracket Chart	1
④	Slide Rail	See Slide Rail Chart	1
⑤	Flat Head Socket, 1/2" -13 x 2", Grade 5	BLT-301-5	2
⑥	Locking Wedge (pr.)	LOC-669	1
⑦	Hex Lock Nut, 1/2" -13, Grade "C"	NUT-303-9	2
⑧	Flat Washer, 1/2" I.D., 1-3/8" O.D., Plain	WSH-304-4	2
⑨	Air Cylinder	CYL-5AWS-2	1
⑩	Bushing, 7/16"	BSH-115	2
⑪	Locking Wedge Support Bar	BAR-610-4	2

Air Slide Brackets—AWS

Part No.	Mounted Height
BKTAWS6PT *	6-3/4"

* This Low Mount Assembly currently uses an AWS bracket for Heavy Duty Top Plates. AWB brackets are used for mounting heights above 6-3/4".

NOTE: Slide Brackets include item numbers 2, 3 and 5 thru 11.

Slide Rails – AWS

Part No.	Slide Travel	Length
SLR12B	12"	42"
SLR16B	16"	46"
SLR20B	20"	50"
SLR24B	24"	54"
SLR36B	36"	66"
SLR48B	48"	78"

NOTE: Slide Rails include item numbers 1 and 4.

Bolt Kits

Description	Quantity
KIT-SLD-1412 (12" Slide Bolt Kit)	
BLT-302-25	2
BLT-302-27	12
NUT-303-3	14
WSH-304-7	28
KIT-SLD-1824 (24" Slide Bolt Kit)	
BLT-302-25	2
BLT-302-27	16
NUT-303-3	18
WSH-304-7	36

Description	Quantity
KIT-SLD-2236 (36" Slide Bolt Kit)	
BLT-302-25	2
BLT-302-27	20
NUT-303-3	22
WSH-304-7	44
KIT-SLD-2648 (48" Slide Bolt Kit)	
BLT-302-25	2
BLT-302-27	24
NUT-303-3	26
WSH-304-7	52

AWX Air Slide Bracket and Rails Parts Schematic

ASYAWX924 (9-1/2" Height, 24" Slide Travel Shown)

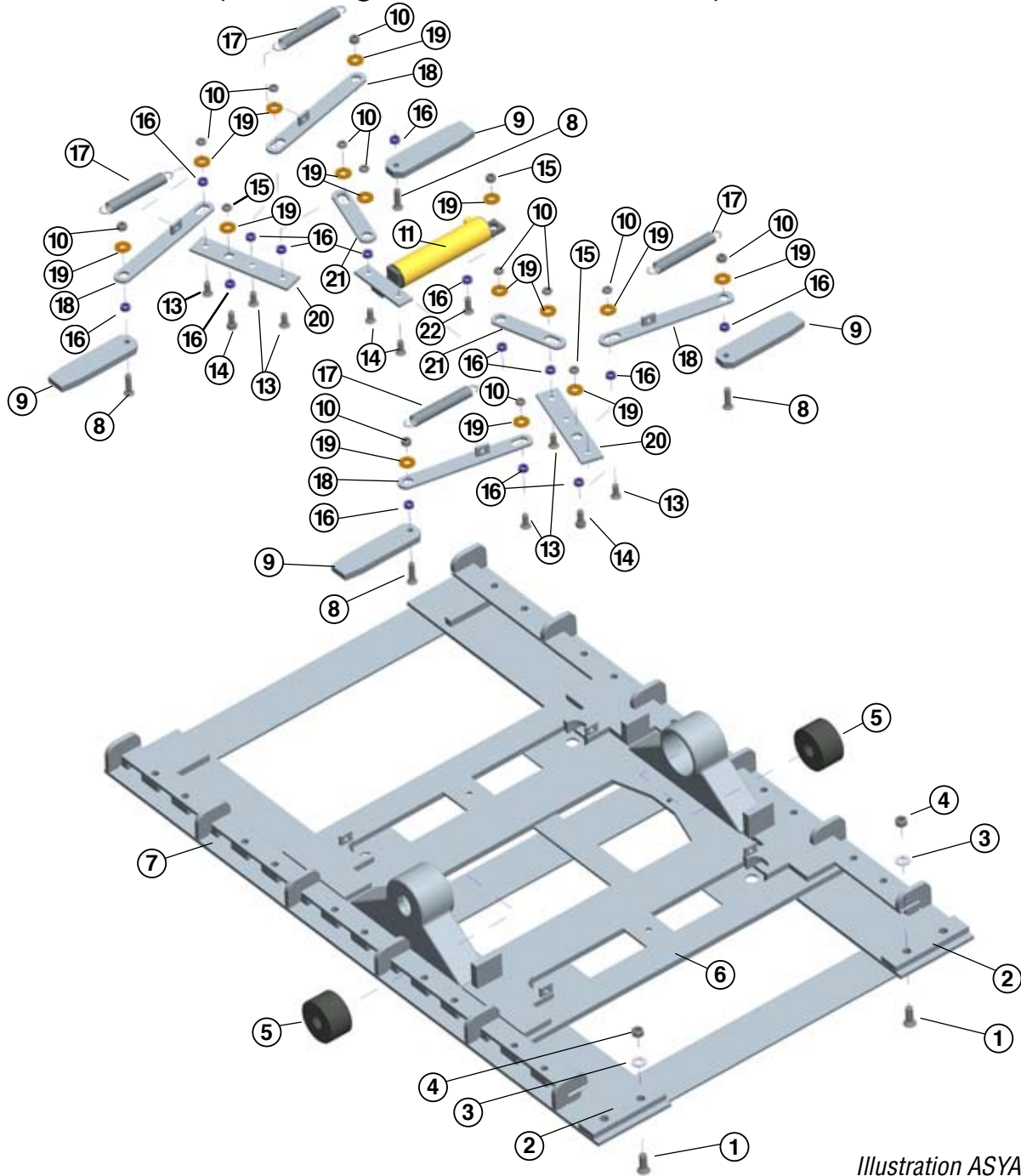


Illustration ASYAWX924

The Fontaine TechLock® System

Superior Technology Delivers
Superior Locking Performance

AWX Air Slide Bracket and Rails Parts List

Item No.	Description	Part Number	Quantity
①	Flat Head Socket, 5/8"-11 x 1-3/4", Grade 5	BLT-301-12	2
②	Slide Stop	MSC-385	2
③	Flat Washer, 5/8", Plain	WSH-304-5	2
④	Lock Nut, 5/8" -11, Grade "B"	NUT-303-3	2
⑤	Bracket Bushing (pr.)	BSH-150	1
⑥	Slide Bracket	See Slide Bracket Chart	1
⑦	Slide Rail	See Slide Rail Chart	1
⑧	Flat Head Socket, 1/2" -13 x 2", Grade 5	BLT-301-5	4
⑨	Locking Wedge (pr.)	LOC-669	2
⑩	Hex Lock Nut, 1/2" -13, Grade "C"	NUT-303-9	12
⑪	Air Cylinder	CYL-XAWX	1
⑫	Bushing, 7/16"	BSH-115	1
⑬	Flat Head Socket, 1/2" -13 x 1", Grade 5	BLT-301-1	6
⑭	Hex Head Bolt, 1/2" -13 x 1", Grade 5	BLT-302-11	4
⑮	Hex Jam Nut, 1/2" -13, Grade "B"	NUT-303-6	3
⑯	Bushing, 5/16"	BSH-629	14
⑰	Locking Member Spring	SPR-632	4
⑱	Locking Wedge Release Bar	LOC-664	4
⑲	Flat Washer, 1/2" I.D., 1-3/8" O.D., Plain	WSH-304-4	15
⑳	Latching Lever	LEV-601	2
㉑	Locking Wedge Connector Bar	BAR-596	2
㉒	Hex Head Bolt, 1/2"-13 x 1-1/2", Grade 5	BLT-302-13	1

Air Slide Brackets – XAWX

Part No.	Mounted Height
BKTAWX9PT	9-1/2"
BKTAWX10PT	10-1/2"
BKTAWX11PT	11-1/2"

NOTE: Slide Brackets include item numbers 5, 6, and 8 thru 22.

Slide Rails – XAWX

Part No.	Slide Travel	Length
SLR12X	12"	54"
SLR24X	24"	66"
SLR36X	36"	78"
SLR48X	48"	90"

NOTE: Slide Rails include item numbers 1 thru 4 and 7.

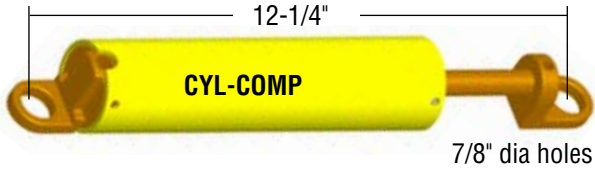
Bolt Kits

Description	Quantity
KIT-XLD-1812 (12" XHD Slide Bolt Kit)	
BLT-302-36	2
BLT-302-38	16
NUT-303-7	18
WSH-304-10	36
KIT-XLD-2224 (24" XHD Slide Bolt Kit)	
BLT-302-36	2
BLT-302-38	20
NUT-303-7	22
WSH-304-10	44

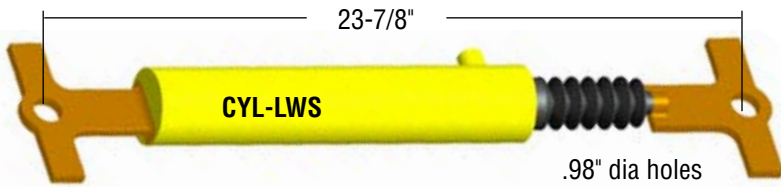
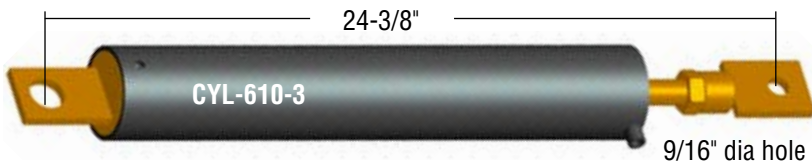
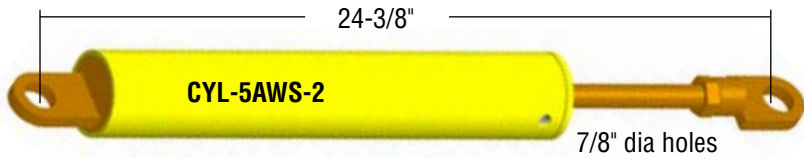
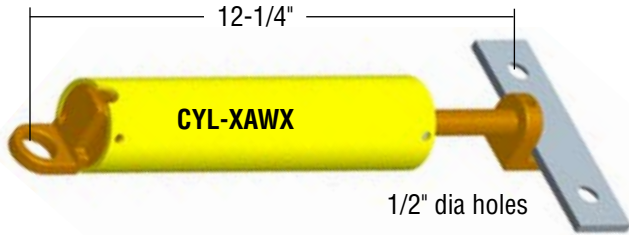
Description	Quantity
KIT-XLD-2636 (36" XHD Slide Bolt Kit)	
BLT-302-36	2
BLT-302-38	24
NUT-303-7	26
WSH-304-10	52
KIT-XLD-3048 (48" XHD Slide Bolt Kit)	
BLT-302-36	2
BLT-302-38	28
NUT-303-7	30
WSH-304-10	60

Air Cylinder Identification Chart – Air Slide Brackets

Air Slide Bracket



*NOTE:
CYL-5AWB-1 has
been superceded
to CYL-COMP*



Air Cylinder Identification Chart – Air Actuated Top Plates

Air Actuated Top Plate

The diagram illustrates three different models of air actuated top plates, each shown in a side view with dimension lines and labels. The top plate is yellow with a brass-colored end fitting.

- CYL-5AA-5092**: Length is 15-5/8". It features a 3/8" diameter hole on the left end and a 1/2" diameter pin on the right end.
- CYL-AA-5092L or R**: Length is 15". It features 1/2" diameter holes on both ends.
- CYL-AA-6000L or R**: Length is 17-3/8". It features 1/2" diameter holes on both ends.

Service Parts Available In Case Quantities*

Part Number	Description	Weight Each (lbs)	Quantity Per Case	Total Weight (lbs)
BLT-301-1	Flat Head Socket, 1/2" -13 x 1", Grade 5	0.25	10	2.50
BLT-301-3	Flat Head Socket, 1/2" -13 x 1-1/2", Grade 5	0.20	10	2.00
BLT-301-5	Flat Head Socket, 1/2" -13 x 2", Grade 5	0.20	10	2.00
BLT-301-12	Flat Head Socket, 5/8" -11 x 1-3/4", Grade 5	0.25	10	2.50
BLT-301-19	Flat Head Socket, 5/8" -11 x 3-1/2", Grade 5	0.25	10	2.50
BLT-313	Shoulder Bolt, 5/8"x 1-1/4" w/ 1/2" - 13, Grade 5	0.25	10	2.50
BLT-313-2	Shoulder Bolt, 1/2" x 1-3/8" w/ 3/8" -16, Grade 5	0.25	10	2.50
BSH-115	Bushing, 7/16"	0.00	25	2.00
BSH-150	Bracket Bushing (pr.) (Also see Kits)	2.00	8 Pairs	16.00
BSH-629	Bushing, 5/16"	0.04	25	1.00
CD-SPR-236	Timer Spring	0.01	6	0.4
MSC-370	Grease Fitting	0.05	50	2.50
MSC-375	Grease Fitting	0.05	50	2.50
NUT-303-1	Hex Lock Nut, 3/8" -16, Grade "B"	0.06	25	1.60
NUT-303-3	Hex Lock Nut, 5/8" -11, Grade "B"	0.07	25	1.80
NUT-303-6	Hex Jam Nut, 1/2" - 13, Grade "B"	0.06	25	1.50
NUT-303-9	Hex Lock Nut, 1/2" - 13, Grade "C"	0.07	25	1.80
NUT-319	Wedge Stop Rod Nut	0.06	10	0.60
PIN-95	Cotter Pin, 1/4" x 3" (Also see Kits)	0.08	20	1.50
PIN-124P	Bracket Retainer Pin (Pair) (Replaces PIN-124) (Also see Kits)	0.42	6 pairs	2.50
PIN-135-1P	Bracket Pin (Pair) (Replaces PIN-135-1) (Also see Kits)	2.40	6 pairs	14.40
PIN-191P	Universal Bracket Pin (Pair) (Replaces PIN-135, PIN-135P & PIN-6000P) (Also see Kits)	2.40	6 pairs	14.40
PIN-289P	Retainer Pin For an XHD Wheel (pr.)	0.30	6 pairs	1.80
PIN-306-3	Cotter Pin 5/32" x 1" (Also see Kits)	0.03	50	1.25
PIN-307-1	Clevis Pin, 3/4" x 3" (Also see Kits)	0.50	20	10.00
PIN-307-2	Clevis Pin 3/8" x 2"	0.43	20	8.50
PIN-307-4	Clevis Pin, 1/2" x 1" (Also see Kits)	0.40	20	8.00
PIN-331	Lock Pin	0.06	20	1.26
SPR-128	Bumper Spring (Also see Kits)	0.50	6	3.00
SPR-233	Latching Lever Spring (Also see Kits)	0.50	6	3.00
SPR-317	Wedge Stop Rod Spring	0.15	10	1.50
SPR-338	Handle Spring (Also see Kits)	0.50	6	3.00
SPR-374	Bumper/Handle Spring (Also see Kits)	0.50	6	3.00
SPR-569	Leaf Spring / with 2 self tapping screws (SCR-425)	0.11	6	0.66
SPR-632	Locking Member Spring	0.37	6	2.20
WSH-304-1	Flat Washer, 3/8", Plain	0.00	50	0.35
WSH-304-3	Flat Washer, 1/2" I.D. 1" O.D., Plain	0.00	50	1.00
WSH-304-4	Flat Washer, 1/2" I.D. 1-3/8" O.D., Plain	0.00	50	2.14
WSH-304-5	Flat Washer, 5/8", Plain	0.00	50	1.49
WSH-304-7	Flat Washer, 5/8", Hardened	0.00	50	1.75
WSH-304-8	Flat Washer 3/4", Plain	0.00	50	1.75
WSH-304-9	Flat Washer 3/4", Plain	0.00	50	1.95
WSH-304-16	Flat Washer, 5/8", Stainless Steel	0.00	50	1.51

The above parts are shipped direct from Fontaine® International in case quantities only. They may be available in individual quantities from your local distributor/dealer.

Service Parts

Part Number	Description	Weight (lbs)
BAR-396-BK	Blocked Slide Cross Shaft	21.0
BAR-596	Locking Wedge Connector Bar	1.0
BAR-610-4	Locking Wedge Support Bar	0.5
BLT-301-1	Flat Head Socket, 1/2" -13 x 1", Grade 5	See Case Quan. Section
BLT-301-3	Flat Head Socket, 1/2" -13 x 1-1/2", Grade 5	
BLT-301-5	Flat Head Socket, 1/2" -13 x 2", Grade 5	
BLT-301-12	Flat Head Socket, 5/8" -11 x 1-3/4", Grade 5	
BLT-301-19	Flat Head Socket, 5/8"-11 x 3-1/2", Grade 5	
BLT-313	Shoulder Bolt, 5/8"x 1-1/4" w/ 1/2" - 13, Grade 5	
BLT-313-2	Shoulder Bolt, 1/2" x 1-3/8" w/ 3/8" -16, Grade 5	
BSH-172-U	Upper Bracket Bushing (pr.) (Was Part # BSH-108-U and BSH-LWS-U)	0.3
BSH-109-L	Lower Bracket Bushing (pr.) (Was Part # BSH-LWS-L)	0.4
BSH-115	Bushing, 7/16"	See Case Quan. Section
BSH-150	Bracket Bushing (Pair.) (Also see Kits)	
BSH-150-1	Bracket Bushing (Pair)	2.0
BSH-629	Bushing, 5/16"	See Case Quan. Section
CC-PLATES	Clean Connect Lube Plates (Pair)	
CC-PLATES-L	Clean Connect Lube Plates (Left Side)	18.0
CC-PLATES-R	Clean Connect Lube Plates (Right Side)	9.0
CYL-5AA-5092	Air Cylinder	9.0
CYL-5AWS-2	Air Cylinder	6.2
CYL-610-3	Air Cylinder	7.5
CYL-COMP	Air Cylinder Composite	7.5
CYL-LWS	Air Cylinder Assembly	3.8
CYL-XAWX	Air Cylinder	6.9
EXT-5000	Handle Extension	6.2
LAT-153L	Safety Latch Assembly (Left Side)	2.0
LAT-153R	Safety Latch Assembly (Right Side)	2.0
LAT-5000-FL	Lock Latch Front Release (Left Side)	0.5
LAT-5000-FR	Lock Latch Front Release (Right Side)	0.5
LAT-5000B-SL	Safety Lock Latch 5000 Series (Left Side)	1.0
LAT-5000B-SR	Safety Lock Latch 5000 Series (Right Side)	1.0
LNR-BKT-107	Bracket Liner (pr.) (Was Part # LNR-LWS)	0.3
LNR-BKT-171	Heavy Duty Bracket Liner (Pair.)	0.3
LEV-601	Latching Lever	0.5
LEV-663	Latching Lever	0.5
LEV-686	Latching Lever	0.5
LOC-287	Locking Wedge ATB OR MTB (Pair.)	7.0
LOC-607	Locking Wedge (Pair.)	6.0
LOC-664	Locking Wedge Release Bar	0.5
LOC-669	Locking Wedge (Pair.)	7.0
LOC-683	Locking Wedge Release Bar	0.5
LOC-LWS	Locking Wedge (Pair.)	9.9
MSC-291	Rear Slide Stop Block ATB, MTB	1.1
MSC-370	Grease Fitting	See Case Quan. Section
MSC-375	Grease Fitting	
MSC-385	Rear Slide Stop	2.3
MSC-580	Handle Guide Front Release	1.0
MSC-673	Rear Slide Stop	3.3
MSC-710	Spring Installation Tool	4.0
MSC-712	Test King Pin	20.0
MSC-1515	Rear Slide Stop	2.1

Part Number	Description	Weight (lbs)
NUT-303-1	Hex Lock Nut, 3/8" -16, Grade "B"	See Case Quan. Section
NUT-303-3	Hex Lock Nut, 5/8" -11, Grade "B"	
NUT-303-6	Hex Jam Nut, 1/2" - 13, Grade "B"	
NUT-303-9	Hex Lock Nut, 1/2" - 13, Grade "C"	
OPR-5000-FL	Operating Handle (Left Side)	5.6
OPR-5000-FR	Operating Handle (Right Side)	5.6
OPR-5000-SL	Operating Handle (Left Side) (Also see Kits)	5.3
OPR-5000-SR	Operating Handle (Right Side) (Also see Kits)	5.3
OPR-5007-SL	Operating Handle (Left Side)	5.6
OPR-5092-AA	Operating Handle	5.5
PIN-95	Cotter Pin, 1/4" x 3" (Also see Kits)	See Case Quan. Section
PIN-124P	Bracket Retainer Pin (Pair) (Replaces PIN-124) (Also see Kits)	
PIN-135-1P	Bracket Pin (Pair) (Replaces PIN-135-1) (Also see Kits)	
PIN-191P	Universal Bracket Pin (Pair) (Replaces PIN-135, PIN-135P & PIN-6000P) (Also see Kits)	
PIN-289P	Retainer Pin For an XHD Wheel	
PIN-306-3	Cotter Pin 5/32" x 1" (Also see Kits)	
PIN-307-1	Clevis Pin, 3/4" x 3" (Also see Kits)	
PIN-307-2	Clevis Pin 3/8" x 2"	
PIN-307-4	Clevis Pin, 1/2" x 1" (Also see Kits)	
PIN-331	Lock Pin	
PUL-139L	Pull Handle (Left Side)	2.2
PUL-139R	Pull Handle (Right Side)	2.2
PUL-5000-SL-B	Pull Handle (Left Side) (Also see Kits)	2.9
PUL-5000-SR-B	Pull Handle (Right Side) (Also see Kits)	2.9
PUL-5007	Pull Handle	3.8
PUL-5007B	Pull Handle	4.0
PUL-5MWS	Pull Handle	1.8
ROD-5092	Knock Out Rod	-
SCR-425	Self Tapping Screw, 1/4" - 20 x 3/8"	-
SPR-128	Bumper Spring (Also see Kits)	See Case Quan. Section
SPR-233	Latching Lever Spring (Also see Kits)	
SPR-317	Wedge Stop Rod Spring	
SPR-338	Handle Spring (Also see Kits)	
SPR-569	Leaf Spring	
SPR-632	Locking Member Spring	
VLV-676-G	Two Way Valve Guard	
VLV-676-S	Two Way Valve Sticker	-
VLV-676-V	Valve w/Nut	-
VLV-INV	Inversion Valve (Air Actuated Fifth Wheel)	1.0
VLV-PUL	Pull Valve (Air Actuated Fifth Wheel)	1.0
WSH-304-1	Flat Washer, 3/8", Plain	See Case Quan. Section
WSH-304-3	Flat Washer, 1/2" I.D. 1" O.D., Plain	
WSH-304-4	Flat Washer, 1/2" I.D. 1-3/8" O.D., Plain	
WSH-304-5	Flat Washer, 5/8", Plain	
WSH-304-7	Flat Washer, 5/8", Hardened	
WSH-304-8	Flat Washer 3/4", Plain	
WSH-304-9	Flat Washer 3/4", Plain	
WSH-304-16	Flat Washer, 5/8", Stainless Steel	
XXT-5000-FL	Extra Long Handle Extension (Left Side)	
XXT-5000-FR	Extra Long Handle Extension (Right Side)	5.1

Look in Kits Section for Service Parts not available separately.

Service Parts Available Only In A Kit – See Kits Section

Part Number	Description
AA-204	Handle Adapter
CYL-AA-5092L	Air Cylinder
CYL-AA-6000L	Air Cylinder (Left Side)
CYL-AA-6000R	Air Cylinder (Right Side)
BLT-302-1	Hex Head Bolt, 3/8" -16 x 1", Grade 2
BLT-302-2	Hex Head Bolt, 3/8" -16 x 1", Grade 5
BLT-302-11	Hex Head Bolt, 1/2" -13 x 1, Grade 5
BLT-302-13	Hex Head Bolt, 1/2" -13 x 1-1/2", Grade 5
BLT-302-14	Hex Head Bolt, 1/2" -13 x 1-3/4", Grade 5
BLT-302-15	Hex Head Bolt, 1/2" - 13 x 2", Grade 5
BLT-302-16	Hex Head Bolt, 1/2" - 13 x 2-1/4", Grade 5
BLT-302-23	Hex Head Bolt, 5/8" - 11 x 2", Grade 8
BLT-302-64	Hex Head Bolt, 1/2" - 13 x 3/4", Grade 5
BLT-302-67	Hex Head Bolt, 1/2" - 13 x 2-1/4", Grade 5
BPR-131-L	Bumper (Left Side)
BPR-131-R	Bumper (Right Side)
BPR-5092-L	Bumper (Left Side)
BPR-5092-R	Bumper (Right Side)
BPR-6000-L	Bumper (Left Side)
BPR-6000-R	Bumper (Right Side)
BSH-1225	Bushing
LAT-6000-L	Secondary Lock (Left Side)
LAT-6000-R	Secondary Lock (Right Side)
OPR-6000	Operating Handle
PIN-165	Cotter Pin, 3/16" x 1"
PIN-336-1	Hair Pin Cotter
PUL-5092	Pull Handle
PUL-5092-AA	Pull Handle – Air Actuated
PUL-6000-L	Pull Handle (Left Side)
PUL-6000-R	Pull Handle (Right Side)
PUL-GRIP	Pull Handle Grip
ROD-1108	Wedge Stop Rod
SPR-137-138	Jaw & Wedge Spring Set
TMR-134-L	Timer (Left Side)
TMR-134-R	Timer (Right Side)
TMR-6000-L	Timer (Left Side)
TMR-6000-R	Timer (Right Side)
WED-200-L	Step Jaw and Wedge Set (Left Side)
WED-200-R	Step Jaw and Wedge Set (Right Side)
WED-6000-L	6000 Series Step Jaw & Wedge Set (Left Side)
WED-6000-R	6000 Series Step Jaw & Wedge Set (Right Side)

Look in Service Parts Section for parts not available in a kit.

Kits

Part Number	Description	Contents	Qty.	Wt. (lbs)
KIT-AA-5092L	Air Actuated Conversion Kit (Left Side)	AA-204	1	15.0
		BLT-302-64	1	
		CYL-AA-5092L	1	
		PIN-306-3	2	
		PIN-307-4	2	
		PUL-5092-AA	1	
		WSH-304-3	1	
KIT-AA-5092R	Air Actuated Conversion Kit (Right Side)	AA-204	1	15.0
		BLT-302-64	1	
		CYL-AA-5092R	1	
		PIN-306-3	2	
		PIN-307-4	2	
		PUL-5092-AA	1	
		WSH-304-3	1	
KIT-AA-6000L	Air Actuated Conversion Kit (Left Side)	BLT-302-14	1	6.0
		BLT-313-2	1	
		CYL-AA-6000L	1	
		NUT-303-1	1	
		NUT-303-9	1	
		SPR-374	1	
		WSH-304-1	1	
KIT-AA-6000R	Air Actuated Conversion Kit (Right Side)	BLT-302-14	1	6.0
		BLT-313-2	1	
		CYL-AA-6000R	1	
		NUT-303-1	1	
		NUT-303-9	1	
		SPR-374	1	
		WSH-304-1	1	
KIT-AIR	Air Slide Installation Kit	Includes Installation Hardware and Valve	1	1.1
KIT-AIR-DASH	Air Actuated Dash Installation Kit	Includes Installation Hardware and Valves	1	5.0
KIT-ATB	Complete ATB Slide Bracket Rebuild Kit	BLT-301-2	1	11.0
		BLT-301-3	1	
		BLT-301-5	2	
		BLT-302-12	1	
		BSH-115	2	
		BSH-629	5	
		CYL-COMP	1	
		LEV-686	1	
		LOC-287	2	
		LOC-664	1	
		LOC-683	1	
		NUT-303-6	3	
		NUT-303-9	4	
		SPR-632	2	
WSH-304-4	8			

Part Number	Description	Contents	Qty.	Wt. (lbs)
KIT-AWB	Complete AWB Slide Bracket Rebuild Kit	BLT-301-2	2	10.0
		BLT-301-5	2	
		BLT-301-12	1	
		BSH-629	5	
		CYL-COMP	1	
		LEV-686	1	
		LOC-664	1	
		LOC-669	1	
		LOC-683	1	
		NUT-303-6	3	
		NUT-303-9	2	
SPR-632	2			
WSH-304-4	7			
KIT-BPR-131L	5000, 5007, AA5092, X5092 Series Bumper Kit (Left Side)	BLT-302-15	1	3.2
		BPR-131-L	1	
		BSH-115	1	
		BSH-629	1	
		NUT-303-9	2	
		SPR-128	1	
		WSH-304-4	1	
KIT-BPR-131R	5000, X5092 Series Bumper Kit (Right Side)	BLT-302-15	1	3.2
		BPR-131-R	1	
		BSH-115	1	
		BSH-629	1	
		NUT-303-9	2	
		SPR-128	1	
		WSH-304-4	1	
KIT-BPR-5092L	5092 Series Bumper Kit (Left Side)	BPR-5092-L	1	3.5
		BLT-302-15	1	
		BSH-115	1	
		BSH-629	1	
		SPR-128	1	
		NUT-303-9	2	
		WSH-304-4	1	
KIT-BPR-5092R	5092 Series Bumper Kit (Right Side)	BLT-302-15	1	3.5
		BPR-5092-R	1	
		BSH-115	1	
		BSH-629	1	
		NUT-303-9	2	
		SPR-128	1	
		WSH-304-4	1	
KIT-BPR-6000L	6000 Series Bumper Kit (Left Side)	BLT-302-14	1	3.7
		BPR-6000-L	1	
		BSH-629	1	
		NUT-303-9	1	
		SPR-374	1	
		WSH-304-4	2	

Kits

Part Number	Description	Contents	Qty.	Wt. (lbs)
KIT-BPR-6000R	6000 Series Bumper Kit (Right Side)	BLT-302-14	1	3.7
		BPR-6000-R	1	
		BSH-629	1	
		NUT-303-9	1	
		SPR-374	1	
KIT-LAT-6000L	6000 Series Secondary Lock Kit (Left Side)	WSH-304-4	2	2.4
		BLT-302-13	1	
		BSH-115	1	
		LAT-6000-L	1	
		NUT-303-9	1	
		PIN-165	1	
KIT-LAT-6000R	6000 Series Secondary Lock Kit (Right Side)	SPR-338	1	2.4
		WSH-304-4	2	
		BLT-302-13	1	
		BSH-115	1	
		LAT-6000-R	1	
		NUT-303-9	1	
KIT-OPR-6000	6000 Series Operating Handle Kit	PIN-165	1	7.7
		SPR-338	1	
		WSH-304-4	2	
		BLT-302-67	1	
		BSH-115	1	
		BSH-1225	1	
		BSH-629	1	
		NUT-303-9	3	
KIT-PIN-LLB	Pin and Bushing Kit ATB, MTB, LWS, PMA	OPR-6000	1	6.0
		PIN-336-1	1	
		WSH-304-4	2	
		BSH-172-U	2	
		BSH-109-L	2	
		LNR-BKT-171	2	
KIT-PIN-191	Universal Pin and Bushing Kit	PIN-124P	2	7.2
		PIN-191P	2	
		PIN-165	2	
		BSH-150	1	
KIT-PIN-XHD	XHD Series Pin & Bushing Kit	PIN-289P	1	7.2
		PIN-135P	1	
		PIN-165	2	
KIT-PMA	Plate Mount Adjustable Bolt Kit	BLT-302-25	12	6.0
		NUT-303-3	12	
		WSH-304-7	24	
KIT-PUL-5092	5092, X5092 Series Pull Handle Kit (Left Side)	PUL-5092	1	3.0
		PIN-165	1	
		WSH-304-4	1	
KIT-PUL-6000L	6000 Series Pull Handle Kit (Left Side)	PIN-165	1	2.2
		PUL-6000-L	1	
		WSH-304-4	1	

Part Number	Description	Contents	Qty.	Wt. (lbs)
KIT-PUL-6000R	6000 Series Pull Handle Kit (Right Side)	PIN-165	1	2.2
		PUL-6000-R	1	
		WSH-304-4	1	
KIT-ROD-1108	Wedge Stop Rod Kit	NUT-319	1	2.1
		PIN-165	1	
		ROD-1108	1	
		SPR-317	1	
KIT-ROD-5092	Knock Out Rod Kit	WSH-304-4	2	2.0
		PIN-165	1	
		ROD-5092	1	
		SPR-317	1	
KIT-RPR-5092L	5092 Repair Kit (Left Side)	WSH-304-15	2	9.5
		PIN-95	2	
		SPR-128	1	
		SPR-137-138	1	
		WED-200-L	1	
		BSH-115	1	
KIT-RPR-5092R	5092 Repair Kit (Right Side)	BSH-629	1	9.5
		NUT-303-9	2	
		PIN-95	2	
		SPR-128	1	
		SPR-137-138	1	
		WED-200-R	1	
KIT-RPR-6000L	No Slack II Repair Kit (Left Side)	BSH-115	1	9.0
		BSH-629	1	
		CD-SPR-236	1	
		NUT-303-9	3	
		SPR-374	1	
		SPR-338	1	
KIT-RPR-6000R	No Slack II Repair Kit (Right Side)	WED-6000-L	1	9.0
		BSH-115	1	
		BSH-629	1	
		CD-SPR-236	1	
		NUT-303-9	3	
		SPR-374	1	
KIT-RPR-5092L	5092 Repair Kit (Left Side)	SPR-338	1	9.5
		WED-6000-R	1	
		BSH-115	1	
		BSH-629	1	
		NUT-303-9	2	
KIT-RPR-5092R	5092 Repair Kit (Right Side)	PIN-95	2	9.5
		SPR-128	1	
		SPR-137-138	1	
		WED-200-L	1	
		WED-200-R	1	



Kits

Part Number	Description	Contents	Qty.	Wt. (lbs)
KIT-RPR-6000L	No Slack II Repair Kit (Left Side)	BSH-115	1	9.0
		BSH-629	1	
		CD-SPR-236	1	
		NUT-303-9	3	
		SPR-374	1	
		SPR-338	1	
		WED-6000-L	1	
KIT-RPR-6000R	No Slack II Repair Kit (Right Side)	BSH-115	1	9.0
		BSH-629	1	
		CD-SPR-236	1	
		NUT-303-9	3	
		SPR-374	1	
		SPR-338	1	
		WED-6000-R	1	
KIT-SLD-1412	Bolt Kit 12" Slide	BLT-302-25	2	6.0
		BLT-302-27	12	
		NUT-303-3	14	
		WSH-304-7	28	
KIT-SLD-1824	Bolt Kit 24" Slide	BLT-302-25	2	8.0
		BLT-302-27	16	
		NUT-303-3	18	
		WSH-304-7	36	
KIT-SLD-2236	Bolt Kit 36" Slide	BLT-302-25	2	10.0
		BLT-302-27	20	
		NUT-303-3	22	
		WSH-304-7	44	
KIT-SLD-2648	Bolt Kit 48" Slide	BLT-302-25	2	12.0
		NUT-303-2	2	
		NUT-303-3	26	
		WSH-304-7	52	
KIT-SLS	Slide Stop Kit	BLT-302-13	2	16.7
		NUT-303-2	2	
		WSH-304-4	2	
		600-178-1	1	
		600-178-2	1	
KIT-TMR-134L	5000, 5007, 5092, AA5092, X5092 Series Timer Kit (Left Side)	BSH-115	1	4.0
		BSH-629	1	
		NUT-303-9	2	
		TMR-134L	1	
KIT-TMR-134R	H5092, X5092 Series Timer Kit (Right Side)	BSH-115	1	4.0
		BSH-629	1	
		NUT-303-9	2	
		TMR-134R	1	
KIT-TMR-6000L	6000 Series Timer Kit (Left Side)	CD-SPR-236	1	5.5
		NUT-303-9	1	
		PIN-336-1	1	
		TMR-6000-L	1	

Part Number	Description	Contents	Qty.	Wt. (lbs)
KIT-TMR-6000R	6000 Series Timer Kit (Right Side)	CD-SPR-236	1	5.5
		NUT-303-9	1	
		PIN-336-1	1	
		TMR-6000-R	1	
KIT-VALVE	Valve Kit (Guard, Nuts and Decal)	VLV-676-V	1	1.0
		VLV-676-G	1	
KIT-XLD-1812	Bolt Kit - XHD 12" Slide	BLT-302-36	2	8.0
		BLT-302-38	16	
		NUT-303-7	18	
		WSH-304-10	36	
KIT-XLD-2224	Bolt Kit - XHD 24" Slide	BLT-302-36	2	12.0
		BLT-302-38	20	
		NUT-303-7	22	
		WSH-304-10	44	
KIT-XLD-2636	Bolt Kit - XHD 36" Slide	BLT-302-36	2	14.0
		BLT-302-38	24	
		NUT-303-7	26	
		WSH-304-10	52	
KIT-XLD-3048	Bolt Kit - XHD 48" Slide	BLT-302-36	2	16.0
		BLT-302-38	28	
		NUT-303-7	30	
		WSH-304-10	60	

3000 Service Parts

Part Number	Description	Contents	Qty.	Wt. (lbs)
PIN-124P	Bracket Retainer Pin	PIN-124P	See Case Quan. Section	
PIN-3000	Bracket Pin	PIN-3000	2	1.5
CLIP-3000	Security Clip	CLIP-3000	1	0.2
LNR-3000	Bracket Liners	LNR-3000	2	0.2
BSH-3000	Bracket Bushings	BSH-3000	2	1.0

3000 Kits

Part Number	Description	Contents	Qty.	Wt. (lbs)
KIT-OPR-3000L	3000 Series Operating Handle Kit	Hex Head Bolt	1	6.0
		Nylok Nut	1	
		Operating Handle	1	
KIT-PIN-3000	3000 Series Pin Kit	Bracket Retainer Pin	2	8.0
		Bracket Pin	2	
		Cotter Pin	2	
		Bracket Bushings	2	
KIT-PUL-3000	3000 Pull Handle Kit	Pull Handle	1	5.0
		Hex Head Bolt	1	
		Nylok Nut	1	
KIT-RING-3000	3000 Wear Ring Kit	Wear Ring	1	3.5
		Flat Washer	4	
		Hex Socket Button Head Screw	4	
KIT-ROD-3000	Adjustment Rod Kit	Adjustment Rod Nut	1	8.0
		Adjustment Rod	1	
KIT-RPR-3000L	3000 Repair Kit	Pivot Pin Clip	2	13.0
		Pivot Pin	2	
		Rotating Locking Jaw	1	
		Locking Wedge	1	
		Main Spring	1	
		Jaw Spring	1	



www.fifthwheel.com