

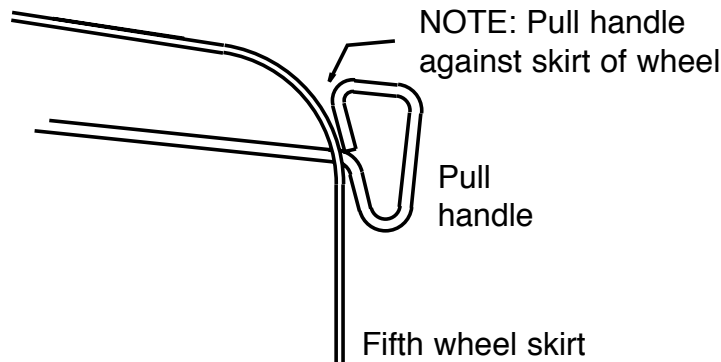
NO-SLACK® SERIES

• Revised April 2004 •

How can I tell if my fifth wheel is fully locked?

If the wheel is a No-Slack® 6000/7000/7000CC series the locking jaw and wedge must be fully across the throat of the wheel. In addition, the pull handle must be within 1" of the skirt of the wheel. The pull handle should be used as a positive lock indicator.

Fifth Wheel Fully Closed



Fifth Wheel Not Fully Closed

