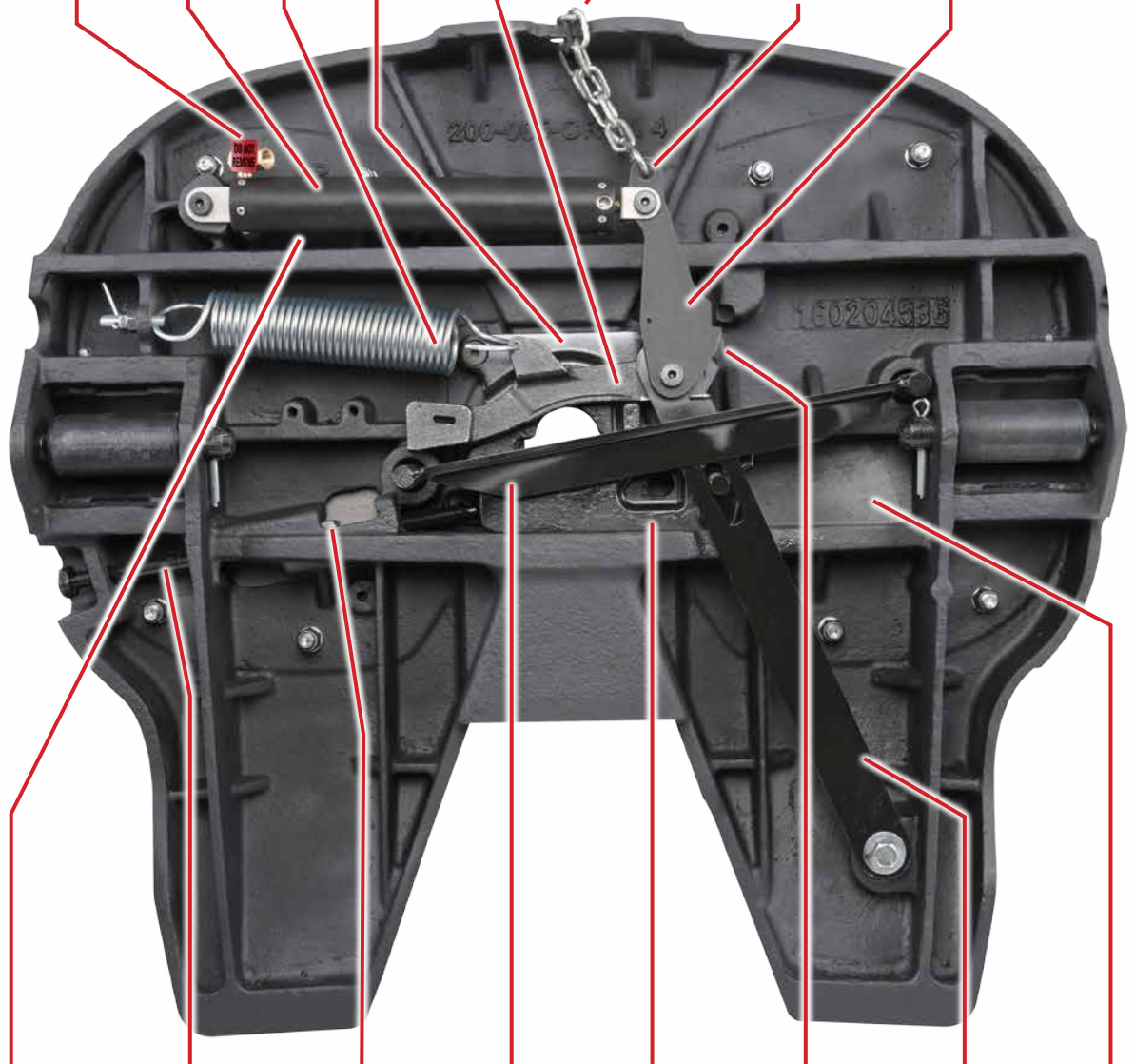
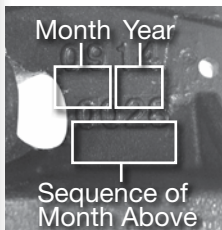


Product Identification – Bottom View

- Three way air valve
- Air Cylinder
- Main Spring
- Stationary Jaw
- Trigger
- Tertiary lock (for use outside private yard)
- Manual Override Pull Handle Hole. Also used for tertiary locking.
- Secondary Lock



- Serial Number (Behind air cylinder)
- Knockout rod
- Knockout rod nut
- Cover Plate
- Locking Jaw
- Torsion Spring
- Operating Handle
- Wear Plate



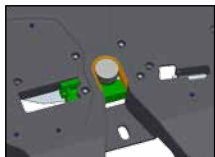
28th fifth wheel
manufactured in
September, 2014
Example serial number
09140028



FONTAINE®
PARTS CONNECTION

fifthwheel.com • 800.874.9780

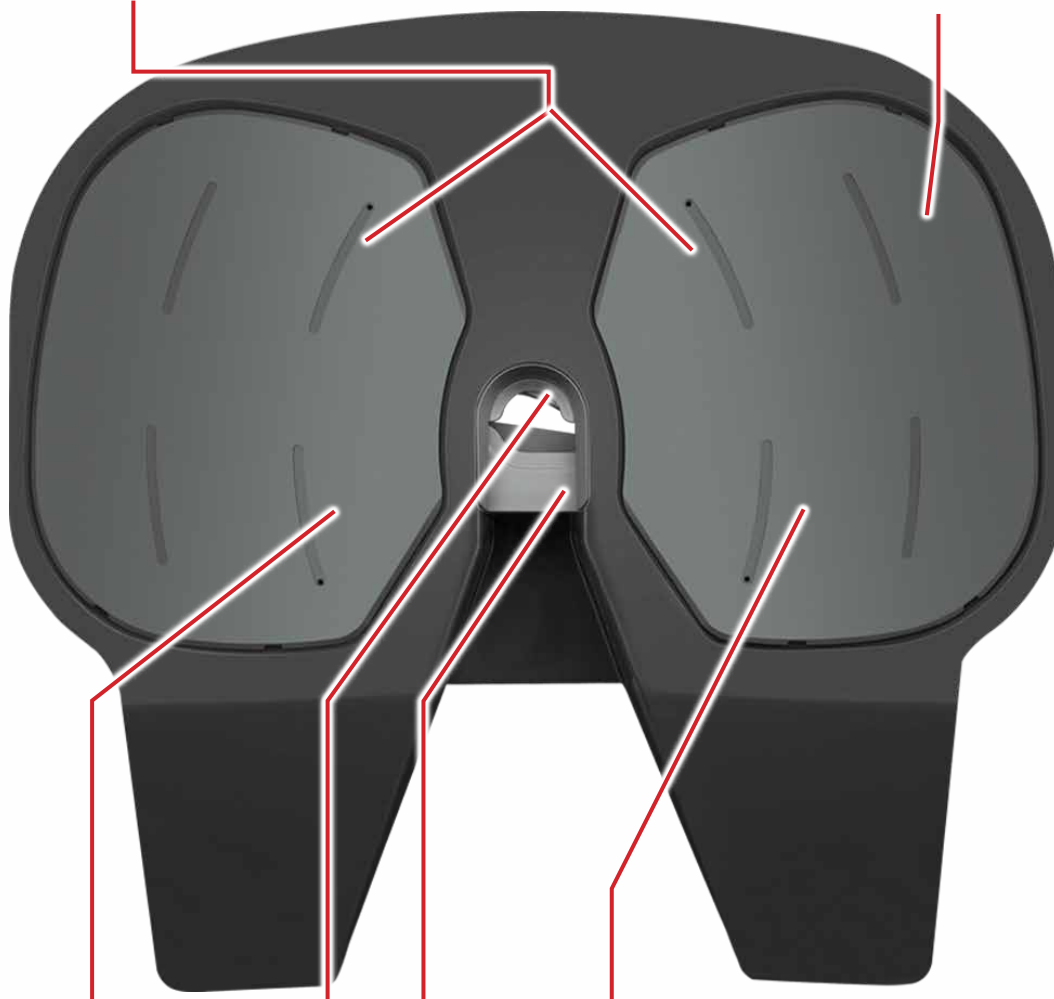
Product Identification – Top View



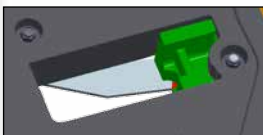
Wear Plates (removable for easy maintenance)



Air cylinder bolt access (under wear plate)

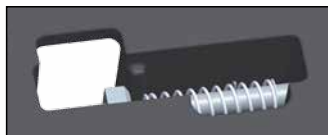


Locking jaw access (under wear plate). Locking jaw slides in for easy maintenance.



Stationary Jaw Locking Jaw

Knockout rod access (under wear plate). Slot for easy knockout rod maintenance.



FONTAINE
PARTS CONNECTION

fifthwheel.com • 800.874.9780