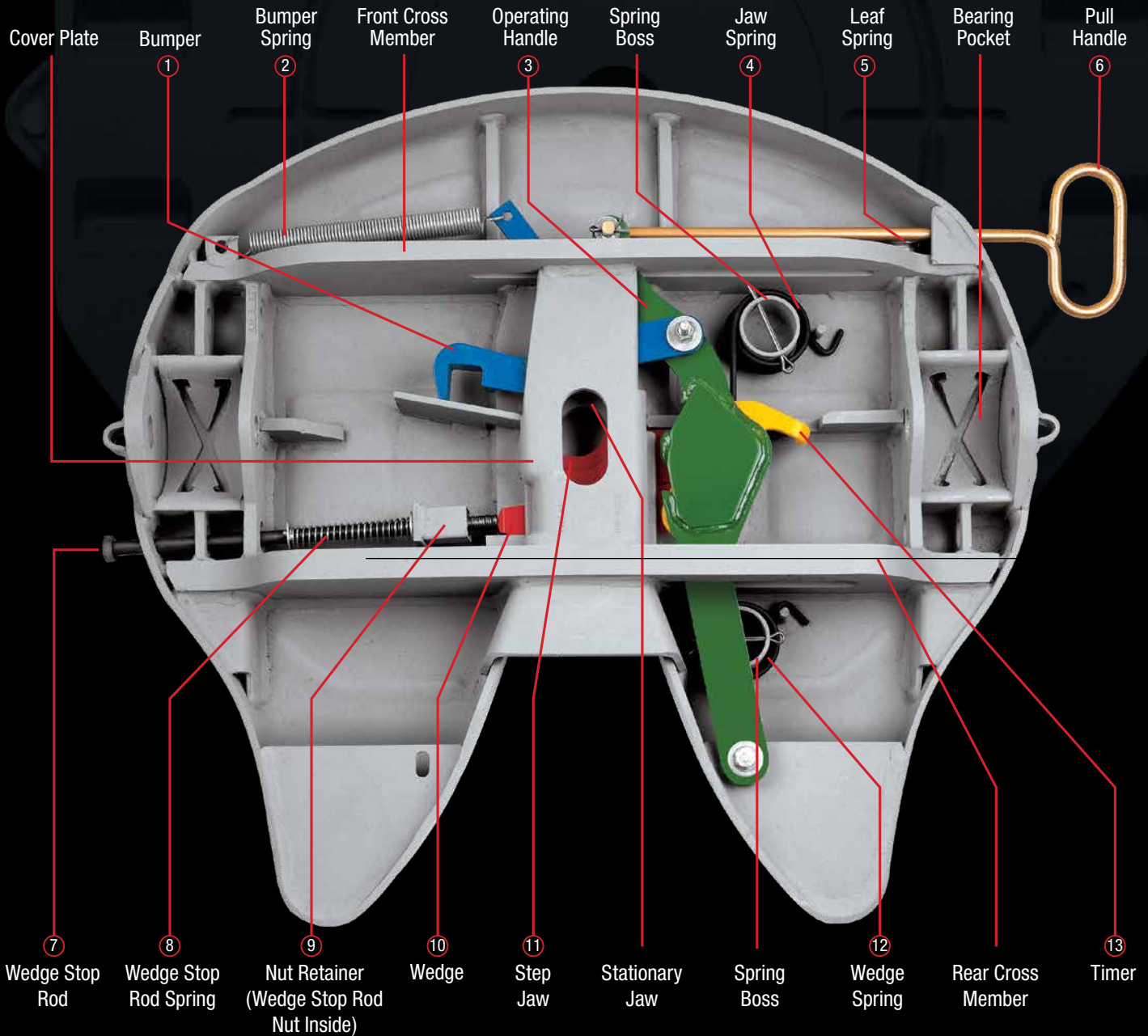


FONTAINE

Parts Guide for Fontaine® No-Slack® 5092 and X5092 Series Fifth Wheels



Left hand SLTPL5092 model shown

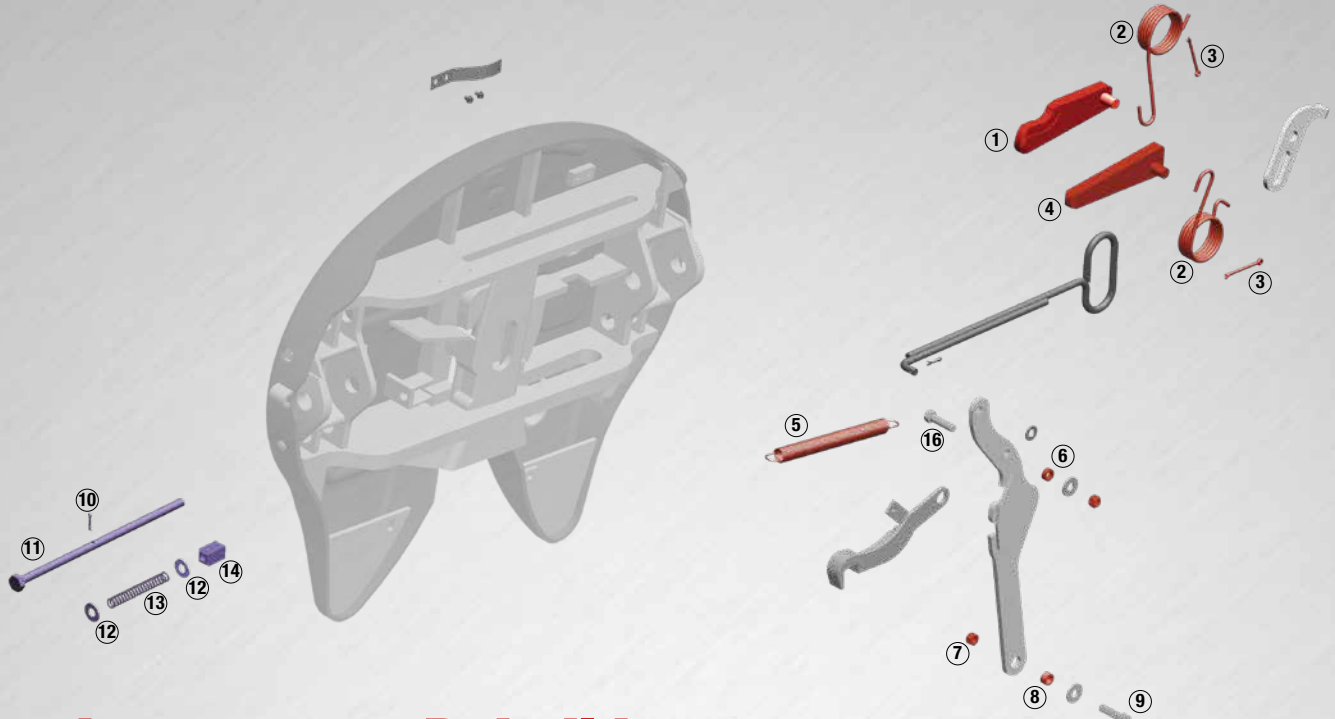
Description	Part Number	Weight (lbs)	Contains
Repair Kit	KIT-RPR-5092*	9.5	②④⑩⑪⑫
Rebuild Kit (Driver Side)	KIT-RX-5092L	30	All
Adjustment Rod Kit	KIT-ROD-1108	1.5	⑦⑧⑨
Replacement top plate	SLTPLH7	245	Complete

Part numbers that start with "KIT" include installation hardware.

* Part can be a L (left) or R (right).

FONTAINE
FIFTH WHEEL®

No-Slack® H5092/X5092 Heavy Duty Series No-Slack® Top Plate Kits



Repair

Repair kit (KIT-RPR-5092L or R)

Item	Description	Qty.
①	Step jaw	1
②	Jaw and wedge spring	2
③	Cotter pin, 1/4" x 3"	2
④	Wedge	1
⑤	Bumper spring	1
⑥	Bushing, 5/16"	1
⑦	Hex lock nut, 1/2" - 13	1
⑧	Bushing, 7/16"	1
⑨	Hex lock nut, 1/2" - 13	1



Wedge-stop rod kit (KIT-ROD-1108)

Item	Description	Quan.
⑩	Cotter pin, 3/16" x 1"	1
⑪	Wedge-stop rod	1
⑫	Flat washer, 5/8" I.D.	2
⑬	Wedge-stop rod spring	1
⑭	Wedge-stop rod nut	1



Rebuild

Part number: KIT-RX-5092L

Major rebuild kit for left side (driver) handle release H5092 and X5092 top plates.

Kit does not include bracket pins, bushings.



- Multiple kits combined in one saves you money
- Parts are arranged in the sequence you need them
- Complete instructions and link to video to make rebuild easy
- Reduce inventory
- Keep all the benefits of No-Slack® technology

H5092 and X5092 top plates have been discontinued, however, parts are still available

Replace



SLTPLH7 (Driver side)

No-Slack® H7 Heavy Duty Steel reinforced cast housing

Rated for extra heavy-duty to severe-duty in both on-highway and off-highway applications. It's also available as a blocked fifth wheel to accommodate frameless dump applications.

H7 is the recommended replacement for H5092 and X5092

- Excellent replacement for H5092 and X5092 fifth wheel top plates
- Mounts on existing H5092/X5092 slides and brackets
- 62,500 lbs to 70,000 lbs vertical load
- 150,000 lbs to 200,000 lbs drawbar pull
- Improved No-Slack® locking mechanism

Pin and Bushing Kits

Bracket Pin and Bushing Kits

Bracket pin kit (KIT-PIN-LLB)



Item	Qty.
2-piece bushing	2 Pairs
Bracket pin	2
Bracket retainer pin	2
Cotter pin	2
Bracket liner	2

Bracket pin kit (KIT-PIN-191)



Item	Qty.
1-piece bushing	2
Bracket pin	2
Bracket retainer pin	2
Cotter pin	2

Bracket pin kit (KIT-PIN-UNT)



Item	Qty.
1-piece bushing	2
Bracket pin	2
Bracket retainer pin	2
Cotter pin	2
Bracket Liner	2

Bracket pin kit (KIT-PIN-3000)



Item	Qty.
Bracket liners	2
1-piece bushing	2
Bracket pin	2
Bracket retainer pin	2
Cotter pin	2

Bushing Kits

Bushing kit (BSH-LLB)



Item	Qty.
2-piece bushing	2 Pairs
Bracket liner	2

Bushing kit (BSH-150)



Item	Qty.
1-piece bushing	2

Bracket Pin and Bushing Kit Guide

Top Plate Mount	Top Plate	Bracket Pin Kit	Bushing Kit
Sliding Brackets			
ATB	6000, 7000, 7000CC	KIT-PIN-LLB	BSH-LLB
AWB	7000, H5092, H7	KIT-PIN-191	BSH-150
AWB Blocked BLAWB	7000, H5092, H7	KIT-PIN-191	BSH-150
AWX	H5092, H7	–	BSH-150
LWB	6000, 7000, 7000CC	KIT-PIN-LLB	BSH-LLB
LWO	NT, 3000	KIT-PIN-UNT*	–
MTB	6000, 7000, 7000CC	KIT-PIN-LLB	BSH-LLB
MWS	H5092, H7	KIT-PIN-191	BSH-150
NWB	6000	KIT-PIN-LLB	BSH-LLB
XPSA	X5092	–	BSH-150
ASB	NT, 3000	KIT-PIN-3000	–

Top Plate Mount	Top Plate	Bracket Pin Kit	Bushing Kit
Fixed Mount/Plate Mount			
APB	NT, 3000	KIT-PIN-UNT*	–
BSL	6000, 7000, 7000CC	KIT-PIN-LLB	BSH-LLB
BSM	6000, 7000, 7000CC	KIT-PIN-LLB	BSH-LLB
FMA	6000, 7000, 7000CC	KIT-PIN-191	BSH-150
FMA D3	6000, 7000, 7000CC	KIT-PIN-191	BSH-150
PMA	6000, 7000, 7000CC	KIT-PIN-LLB	BSH-LLB
PML	6000, 7000, 7000CC	KIT-PIN-LLB	BSH-LLB
PSA	H5092, H7	KIT-PIN-191	BSH-150
PS5	H5092, H7	KIT-PIN-191	BSH-150
PS5 Blocked (BLPS5)	H5092, H7	KIT-PIN-191	BSH-150
SMB	NT, 3000	KIT-PIN-UNT*	–
XPSA	X5092	–	BSH-150

*If 3000 Series top plate on the bracket or slide, use KIT-PIN-3000.



www.fifthwheel.com • 800-874-9780 • Email: parts@fifthwheel.com

©2019 Fontaine Fifth Wheel • LT-050 • January 2019 R2

Get the app @ FifthWheel.com/app

parts@fifthwheel.com

FontaineFifthWheel

@FifthWheelParts

