

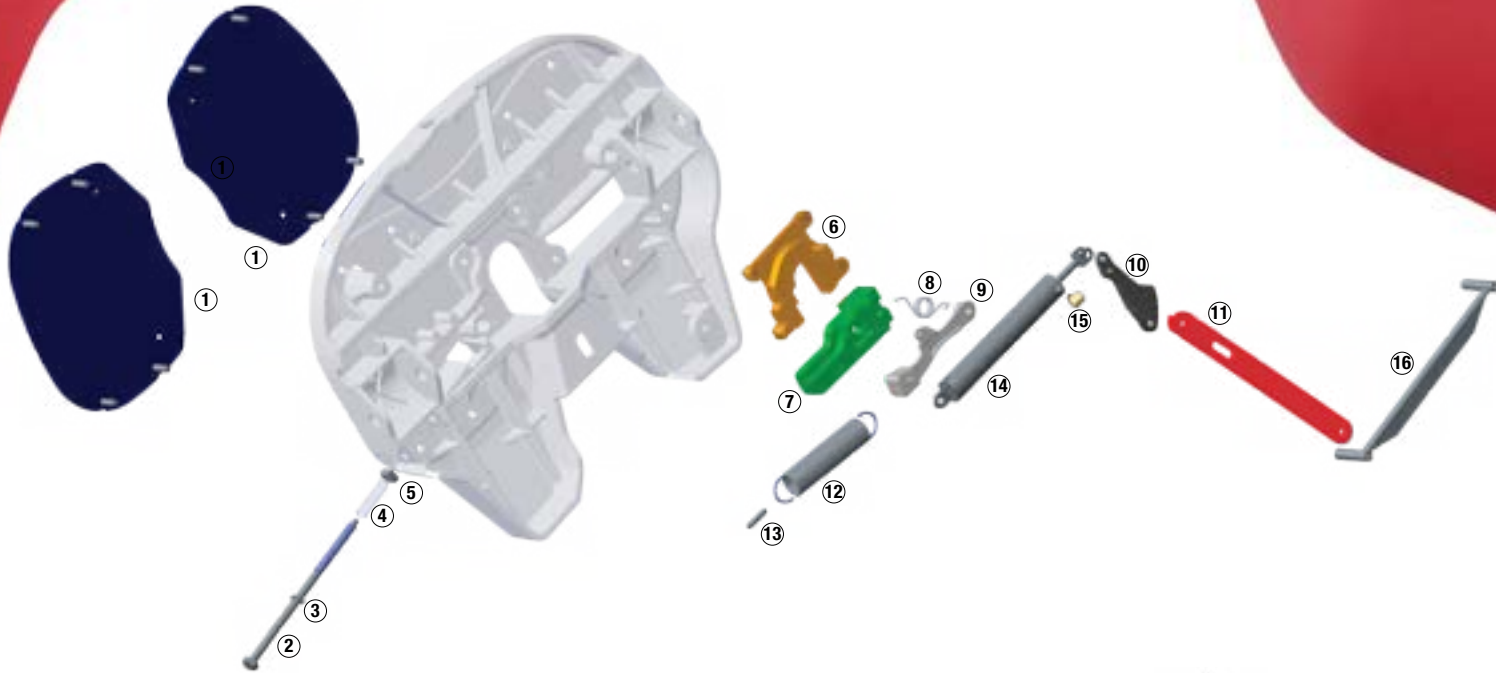
# ARMOR

THE ONLY FIFTH WHEEL DESIGNED SPECIFICALLY FOR YARD TRUCKS

Faster repairs • Greater uptime • Lowest total cost of ownership

## Part Identification & Kit Schematics

This document will help you identify parts and also provide a visual guide to installation of the various kits Fontaine Parts Connection offers for easy maintenance.



Fontaine Armor™ Repair Kits		
Description	Part #	Page
Stationary Jaw Kit	ARMORSJK	2
Jaw Replacement Kit	ARMORJRK	2
Trigger Assembly Kit	ARMORTAK	3
Lock Assembly Kit	ARMORLAK	4
Knockout Rod Kit	ARMORKRK	5
Spring Kit	ARMORSRK	5
Air Cylinder Kit	ARMORACK	6
Cover Plate Kit	ARMORCPK	6
Pin and Bushing Kit	ARMORPBK	7
Wear Plate Kit	ARMORWPK	8

Item	Description	Quantity	Included in kit
①	Wear plate	2	ARMORWPK
②	Knockout rod	1	ARMORKRK
③	Knockout rod clip	1	ARMORKRK
④	Knockout rod spring	1	ARMORKRK
⑤	Knockout rod nut	1	ARMORKRK
⑥	Stationary jaw	1	ARMORSJK, ARMORLAK
⑦	Locking jaw	1	ARMORJRK, ARMORLAK
⑧	Torsion spring	1	ARMORTAK, ARMORLAK, ARMORSRK
⑨	Trigger	1	ARMORTAK, ARMORLAK
⑩	Secondary lock	1	ARMORTAK, ARMORLAK
⑪	Operating handle	1	ARMORTAK, ARMORLAK
⑫	Main spring	1	ARMORTAK, ARMORLAK, ARMORSRK
⑬	Spring tensioner	1	ARMORTAK, ARMORLAK, ARMORSRK
⑭	Air Cylinder	1	ARMORACK
⑮	3-way air valve	1	ARMORACK
⑯	Cover plate	1	ARMORTAK, ARMORLAK, ARMORCPK



### Warning!

- Keep hands away from throat of operating fifth wheel
- Wear Personal Protective Equipment (PPE)
- Make sure the wheel is disarmed before maintenance
- Follow all instructions
- Read operating manual before use
- Use proper procedures
- Use proper tools



For instructional video scan or go to [www.fifthwheel.com/maintenance/](http://www.fifthwheel.com/maintenance/)



**FONTAINE**  
PARTS CONNECTION

fifthwheel.com • 800.874.9780

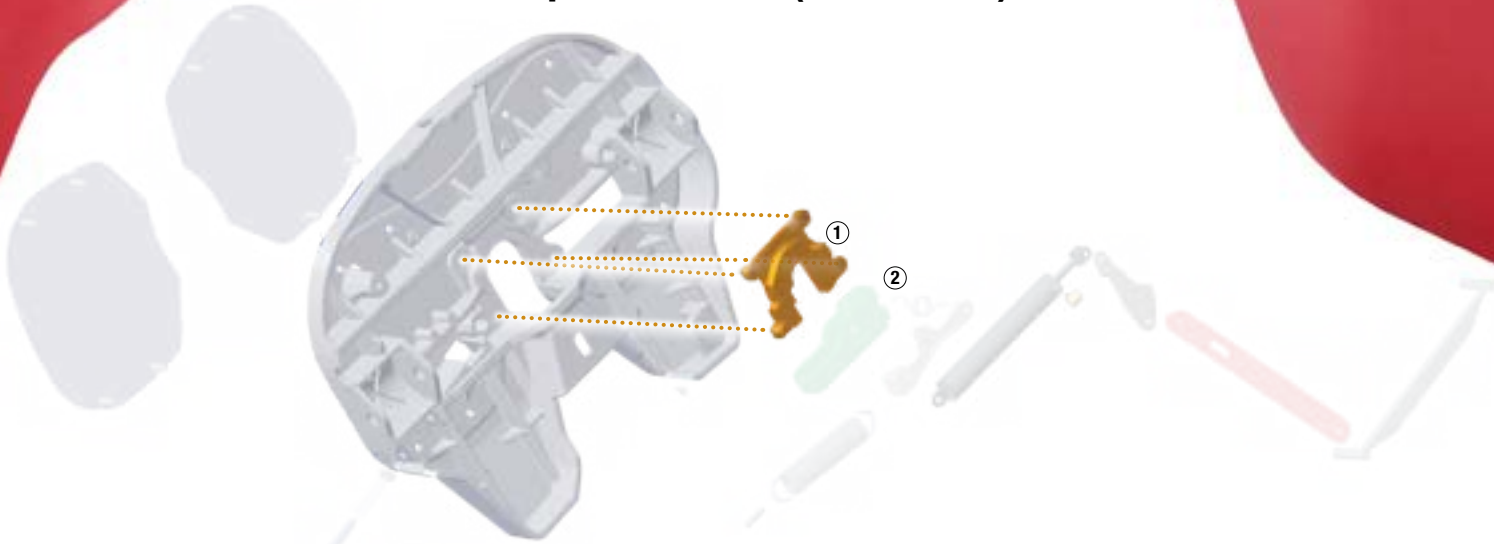
All kits include hardware

# ARMOR

THE ONLY FIFTH WHEEL DESIGNED SPECIFICALLY FOR YARD TRUCKS

Faster repairs • Greater uptime • Lowest total cost of ownership

## Stationary Jaw Kit (ARMORSJK) Jaw Replacement Kit (ARMORJRK)



### Stationary Jaw Kit

Part # **ARMORSJK**

Standard Repair Time:

**1 Hour**

Item	Description	Quantity
①	Stationary jaw	1

See video at [fifthwheel.com/maintenance/](http://fifthwheel.com/maintenance/)  
Choose "Stationary Jaw Replacement"



Stationary Jaw

Tools Required	
Crowbar	
Pliers	
3/4" deep well socket with 2" extension	
9/16" socket	
11/16" socket	
1/4" allen wrench	
Kingpin tool	
Personal Protective Equipment	
Safety glasses	
Work gloves	
Steel toe boots	

### Jaw Replacement Kit

Part # **ARMORJRK**

Standard Repair Time:

**15 Minutes**

Item	Description	Quantity
②	Locking jaw	1

See video at [fifthwheel.com/maintenance/](http://fifthwheel.com/maintenance/)  
Choose "Jaw Replacement"



Locking Jaw

Tools Required	
Crowbar	
Pliers	
3/4" deep well socket with 2" extension	
11/16" socket	
Kingpin tool	
Personal Protective Equipment	
Safety glasses	
Work gloves	
Steel toe boots	



For instructional video go to [fifthwheel.com/maintenance/](http://fifthwheel.com/maintenance/)



**FONTAINE**  
PARTS CONNECTION

[fifthwheel.com](http://fifthwheel.com) • 800.874.9780

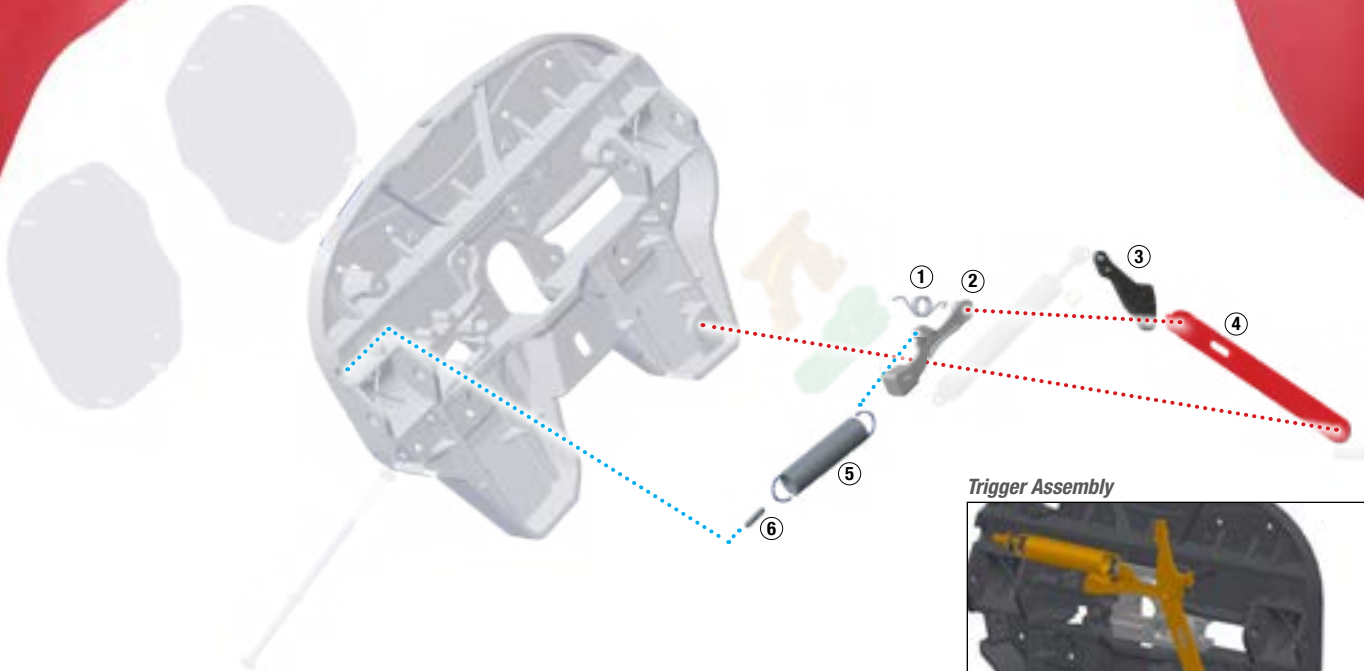
All kits include hardware

# ARMOR

THE ONLY FIFTH WHEEL DESIGNED SPECIFICALLY FOR YARD TRUCKS

Faster repairs • Greater uptime • Lowest total cost of ownership

## Trigger Assembly Kit (ARMORTAK)



Trigger Assembly



### Trigger Assembly Kit

Part # **ARMORTAK**

Standard Repair Time:

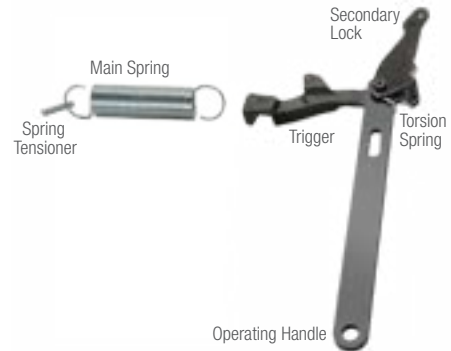
**45 Minutes**

Item	Description	Quantity
①	Torsion spring <i>All parts are pre-assembled</i>	1
②	Trigger <i>pre-assembled</i>	1
③	Secondary lock <i>in trigger assembly kit.</i>	1
④	Operating handle	1
⑤	Main spring	1
⑥	Spring tensioner	1

See video at [fifthwheel.com/maintenance/](http://fifthwheel.com/maintenance/)  
Choose "Trigger Assembly Replacement"

Tools Required
Crowbar
Pliers
3/4" deep well socket with 2" extension
9/16" socket
11/16" socket
1/4" allen wrench
Kingpin tool

Personal Protective Equipment
Safety glasses
Work gloves
Steel toe boots



For instructional video go to [fifthwheel.com/maintenance/](http://fifthwheel.com/maintenance/)

  
**FONTAINE**<sup>®</sup>  
PARTS CONNECTION  
[fifthwheel.com](http://fifthwheel.com) • 800.874.9780

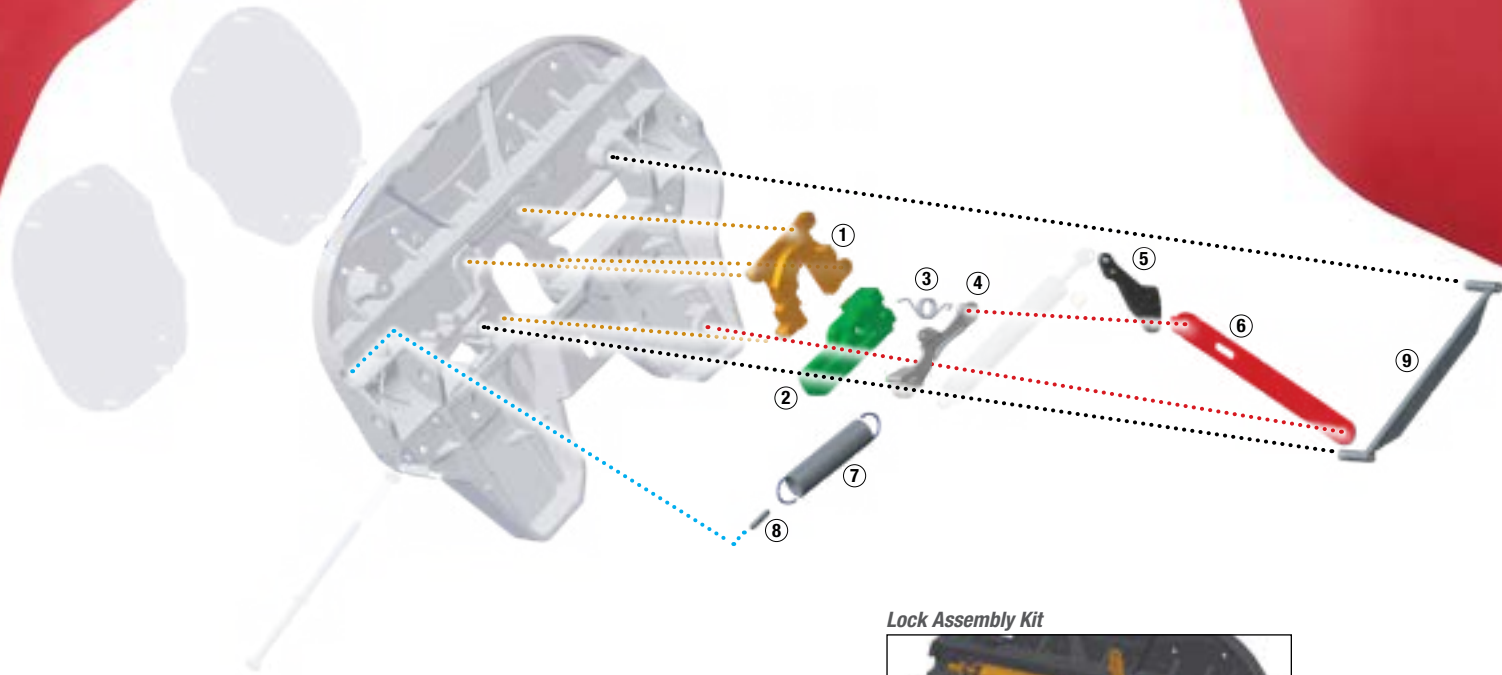
All kits include hardware

# ARMOR

THE ONLY FIFTH WHEEL DESIGNED SPECIFICALLY FOR YARD TRUCKS

Faster repairs • Greater uptime • Lowest total cost of ownership

## Lock Assembly Kit (ARMORLAK)



### Lock Assembly Kit

Part # **ARMORLAK**

Standard Repair Time:

**1 Hour**

Item	Description	Quantity
①	Stationary jaw	1
②	Locking jaw	1
③	Torsion spring	1
④	Trigger	1
⑤	Secondary lock	1
⑥	Operating handle	1
⑦	Main spring	1
⑧	Spring tensioner	1
⑨	Cover plate	1

See video at [fifthwheel.com/maintenance/](http://fifthwheel.com/maintenance/)  
Choose "Lock Assembly Replacement"

Tools Required
Crowbar
Pliers
3/4" deep well socket with 2" extension
9/16" socket
11/16" socket
1/4" allen wrench
Kingpin tool

Personal Protective Equipment
Safety glasses
Work gloves
Steel toe boots

Lock Assembly Kit



For instructional video go to [fifthwheel.com/maintenance/](http://fifthwheel.com/maintenance/)

**F**  
**FONTAINE**<sup>®</sup>  
PARTS CONNECTION  
fifthwheel.com • 800.874.9780

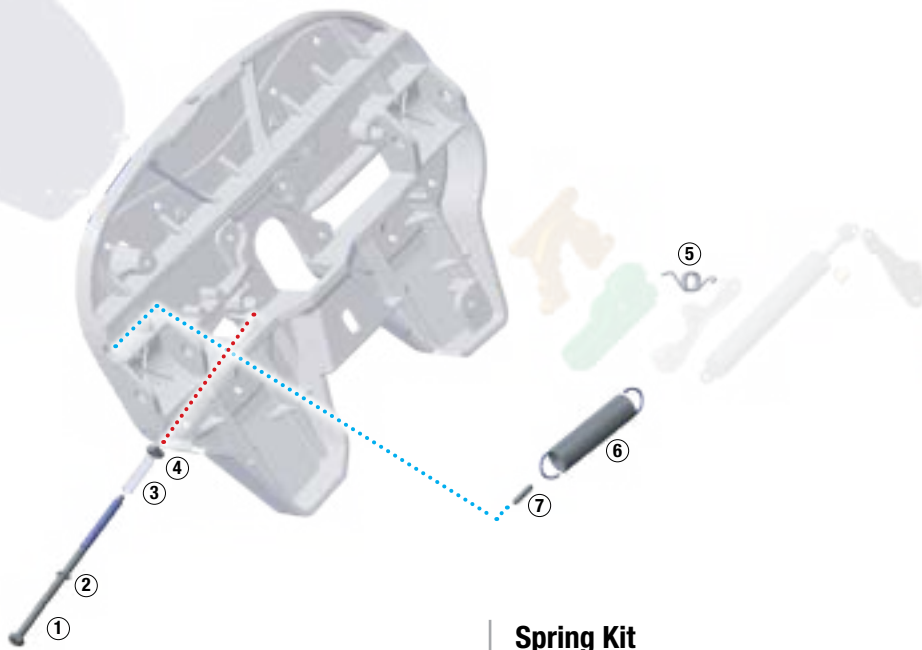
All kits include hardware

# ARMOR

THE ONLY FIFTH WHEEL DESIGNED SPECIFICALLY FOR YARD TRUCKS

Faster repairs • Greater uptime • Lowest total cost of ownership

## Knockout Rod Kit (ARMORKRK) Spring Kit (ARMORSRK)

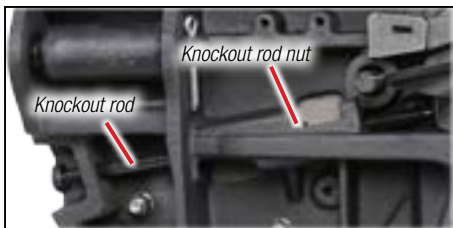


### Knockout Rod Kit Part # **ARMORKRK**

Standard Repair Time:  
**30 Minutes**

Item	Description	Quantity
①	Knockout rod	1
②	Knockout rod clip	1
③	Knockout rod spring	1
④	Knockout rod nut	1

See video at [fifthwheel.com/maintenance/](http://fifthwheel.com/maintenance/)  
Choose "Knockout Rod Replacement"



Tools Required
Crowbar
Pliers
3/4" deep well socket with 2" extension
11/16" socket
Kingpin tool

#### Personal Protective Equipment

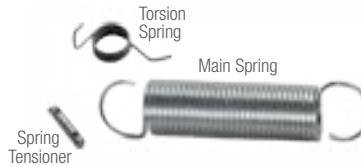
Safety glasses  
Work gloves  
Steel toe boots

### Spring Kit Part # **ARMORSRK**

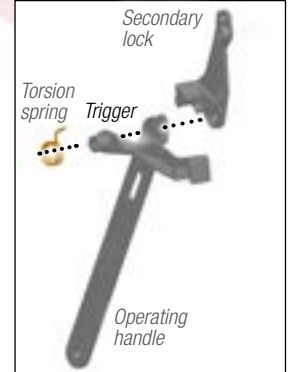
Standard Repair Time:  
**1 Hour**

Item	Description	Quantity
⑤	Torsion spring	1
⑥	Spring tensioner	1
⑦	Main spring	1

See video at [fifthwheel.com/maintenance/](http://fifthwheel.com/maintenance/)  
Choose "Spring Kit Replacement"



#### Trigger Assembly



Torsion spring is behind trigger and loops around operating handle/secondary lock.

Tools Required
Crowbar
Pliers
3/4" deep well socket with 2" extension
9/16" socket
11/16" socket
1/4" allen wrench
Kingpin tool

#### Personal Protective Equipment

Safety glasses  
Work gloves  
Steel toe boots

For instructional video go to  
[fifthwheel.com/maintenance/](http://fifthwheel.com/maintenance/)

**FONTAINE**  
PARTS CONNECTION  
[fifthwheel.com](http://fifthwheel.com) • 800.874.9780

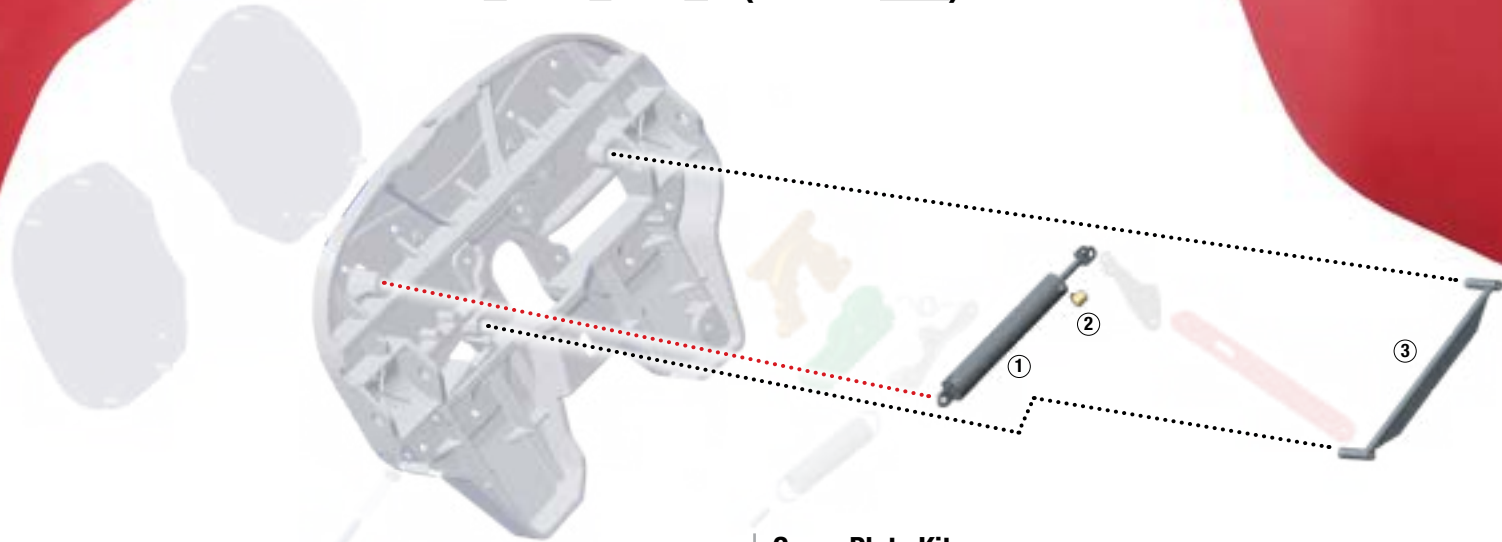
All kits include hardware

# ARMOR

THE ONLY FIFTH WHEEL DESIGNED SPECIFICALLY FOR YARD TRUCKS

Faster repairs • Greater uptime • Lowest total cost of ownership

## Air Cylinder Kit (AMORACK) Cover Plate Kit (ARMORCPK)



### Air Cylinder Kit Part # **ARMORACK**

Standard Repair Time:  
**30 Minutes**

Item	Description	Quantity
⑥	Air cylinder	1
⑦	3-way air valve	1

See video at [fifthwheel.com/maintenance/](http://fifthwheel.com/maintenance/)  
Choose "Air Cylinder Replacement"



Air Cylinder

Air cylinder exhaust screen can be removed and air line installed depending on truck manufacturer setup.

#### Air Cylinder



Tools Required
Crowbar
Pliers
3/4" deep well socket with 2" extension
9/16" socket
11/16" socket
1/4" allen wrench
Kingpin tool

#### Personal Protective Equipment

Safety glasses
Work gloves
Steel toe boots

### Cover Plate Kit Part # **ARMORCPK**

Standard Repair Time:  
**30 Minutes**

Item	Description	Quantity
⑪	Cover plate	1

See video at [fifthwheel.com/maintenance/](http://fifthwheel.com/maintenance/)  
Choose "Cover Plate Replacement"



Cover plate



Cover Plate

#### Cover Plate



Tools Required
Crowbar
Pliers
3/4" deep well socket with 2" extension
9/16" socket
11/16" socket
1/4" allen wrench
Kingpin tool

#### Personal Protective Equipment

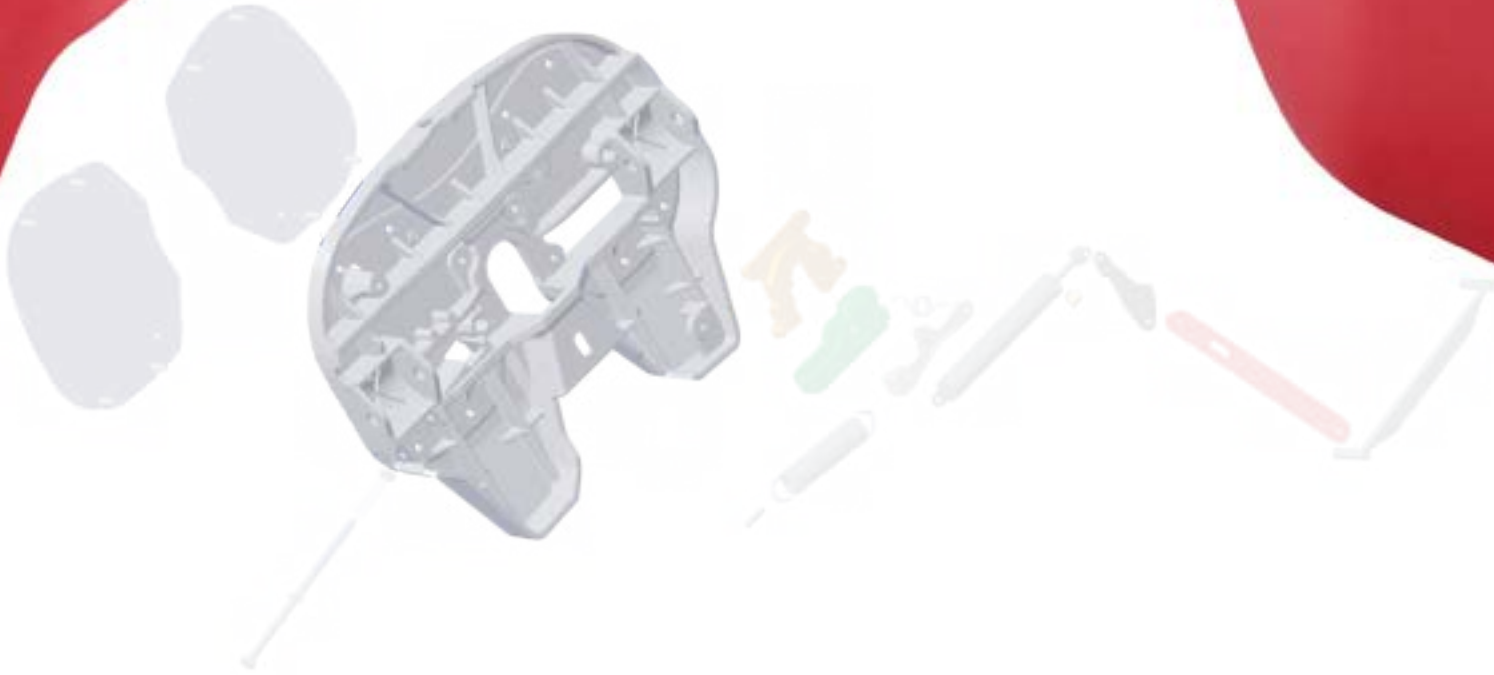
Safety glasses
Work gloves
Steel toe boots

# ARMOR

THE ONLY FIFTH WHEEL DESIGNED SPECIFICALLY FOR YARD TRUCKS

**Faster repairs • Greater uptime • Lowest total cost of ownership**

## Pin and Bushing Kit (ARMORPBK)



### **Pin and Bushing Kit**

Part # **ARMORPBK**

Standard Repair Time:

**30 Minutes**

*Pin and bushings not shown in illustration.*

*See video at [fifthwheel.com/maintenance/](http://fifthwheel.com/maintenance/)  
Choose "Pin and Bushing Replacement"*



#### **Tools Required**

Crowbar

Pliers

9/16" socket

Kingpin tool

#### **Personal Protective Equipment**

Safety glasses

Work gloves

Steel toe boots

For instructional video go to  
[fifthwheel.com/maintenance/](http://fifthwheel.com/maintenance/)

  
**FONTAINE**<sup>®</sup>  
PARTS CONNECTION  
[fifthwheel.com](http://fifthwheel.com) • 800.874.9780

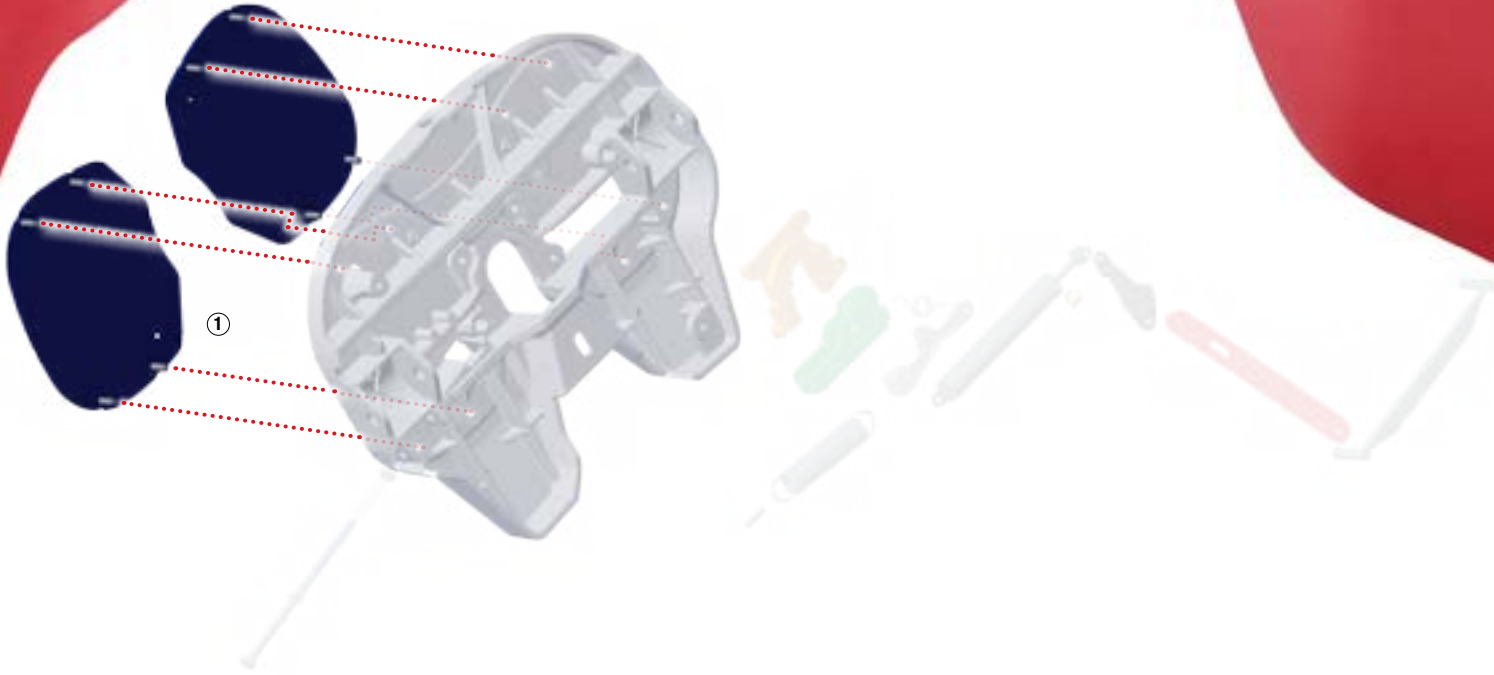
**All kits include hardware**

# ARMOR

THE ONLY FIFTH WHEEL DESIGNED SPECIFICALLY FOR YARD TRUCKS

**Faster repairs • Greater uptime • Lowest total cost of ownership**

## Wear Plate Kit (ARMORWPK)



### Wear Plate Kit

Part # **ARMORWPK**

Standard Repair Time:

**15 Minutes**

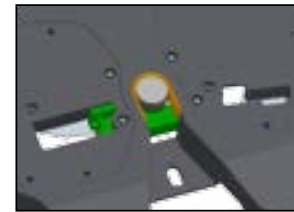
Item	Description	Quantity
①	Wear plate	2

See video at [fifthwheel.com/maintenance/](http://fifthwheel.com/maintenance/)  
Choose "Wear Plate Replacement"



Tools Required
Crowbar
Pliers
3/4" deep well socket with 2" extension
11/16" socket
Kingpin tool

Personal Protective Equipment
Safety glasses
Work gloves
Steel toe boots



Once a wear plate is removed you have easy access to the locking jaw, knockout rod, and air cylinder connection.

For instructional video go to [fifthwheel.com/maintenance/](http://fifthwheel.com/maintenance/)

  
**FONTAINE®**  
PARTS CONNECTION  
fifthwheel.com • 800.874.9780

**All kits include hardware**



# ARMOR

THE ONLY FIFTH WHEEL DESIGNED SPECIFICALLY FOR YARD TRUCKS

**Faster repairs • Greater uptime • Lowest total cost of ownership**

## Grease Zerk Locations



*1/8" NPT zerks can be purchased from industrial supplier.  
See zerk locations for proper fifth wheel lubrication.*



**FONTAINE®**

PARTS CONNECTION

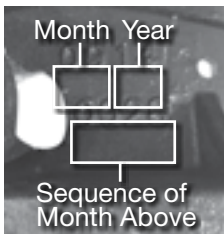
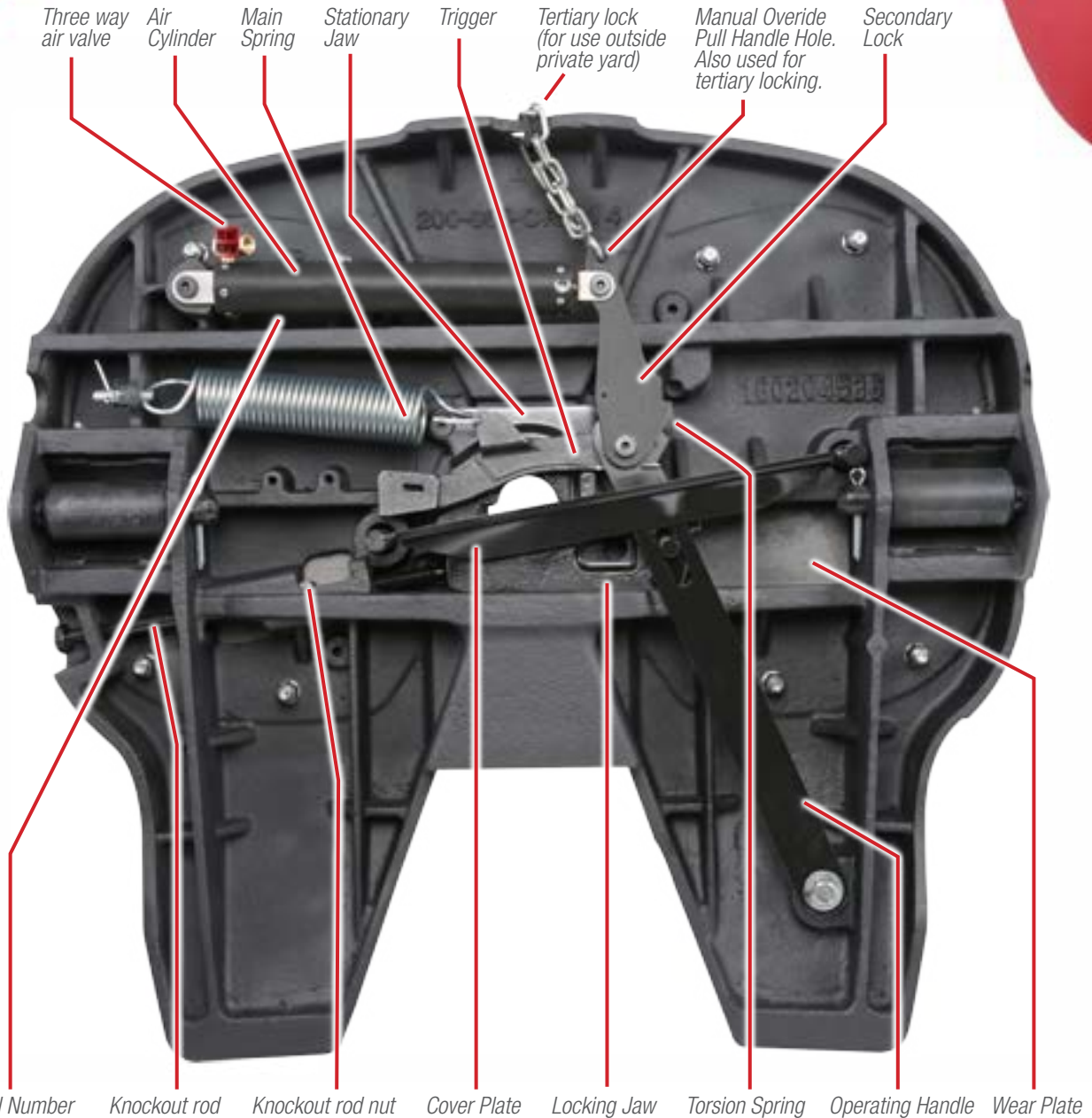
fifthwheel.com • 800.874.9780

# ARMOR

THE ONLY FIFTH WHEEL DESIGNED SPECIFICALLY FOR YARD TRUCKS

**Faster repairs • Greater uptime • Lowest total cost of ownership**

## Part Identification – Bottom View



28th fifth wheel  
manufactured in  
September, 2014

Example serial number  
09140028



**FONTAINE®**

PARTS CONNECTION

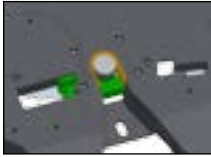
fifthwheel.com • 800.874.9780

# ARMOR

THE ONLY FIFTH WHEEL DESIGNED SPECIFICALLY FOR YARD TRUCKS

**Faster repairs • Greater uptime • Lowest total cost of ownership**

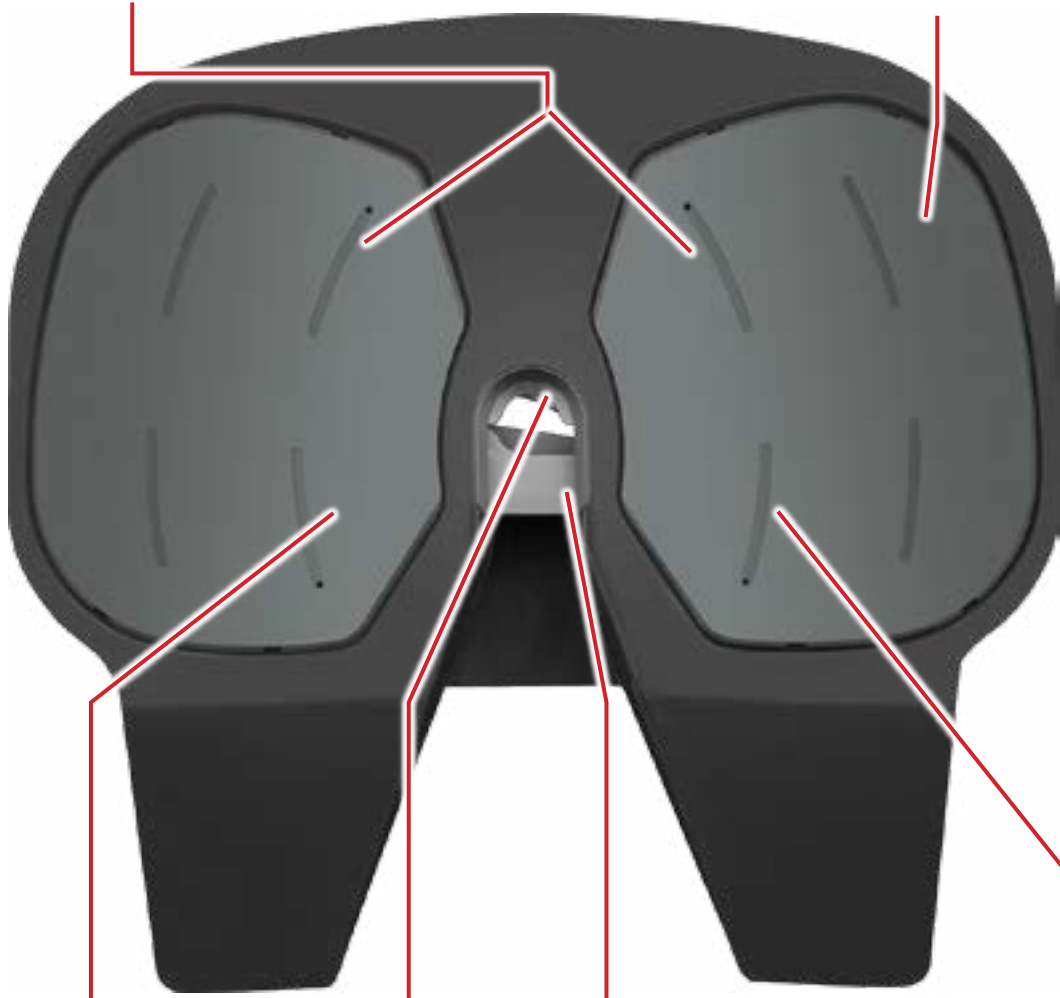
## Part Identification – Top View



*Wear Plates (removable for easy maintenance)*



*Air cylinder bolt access (under wear plate)*



*Locking jaw access (under wear plate). Locking jaw slides in for easy maintenance.*



*Stationary Jaw*

*Locking Jaw*

*Knockout rod access (under wear plate). Slot for easy knockout rod maintenance.*



**FONTAINE®**

PARTS CONNECTION

fifthwheel.com • 800.874.9780